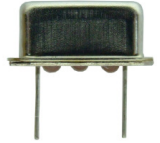
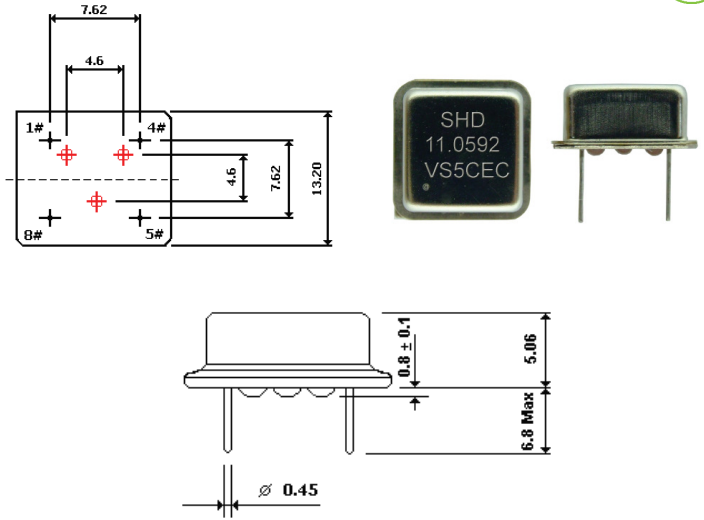




**DESCRIPTION**

Standard 8 pin DIP Metal Package, High Performance, CMOS & TTL compatible Pin # 4 case ground acts as shielding to minimize EMI Radiation RoHS Compliant Standard.

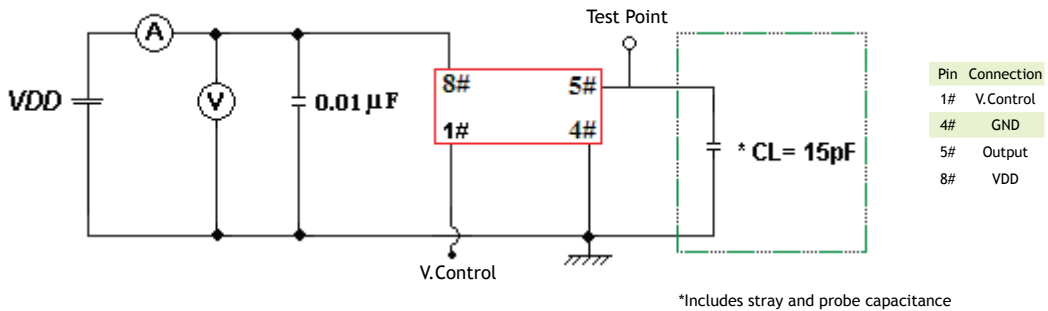
**MECHANICAL DIMENSIONS (all in mm)**



**ELECTRICAL SPECIFICATION**

Frequency Range	1MHz to 40MHz <small>Frequency over 40.000MHz, please consult factory</small>	
Frequency Stability (all condition)	±10ppm to ±50ppm Maximum	
Operating Temperature Range	0°C to +70°C Standard (or Optional)	
Storage Temperature Range	-40°C to +85°C	
Input Voltage (V <sub>DD</sub> )	5V ±5% or 3.3V ±5%	
Rise Time (tr)	20% V <sub>DD</sub> - 80% V <sub>DD</sub>	≤ 5nS
Fall Time (tf)	80% V <sub>DD</sub> - 20% V <sub>DD</sub>	≤ 5nS
Output Symmetry	A	40 / 60%
	B	45 / 55% (Optional)
Output Voltage	VOH	90% V <sub>DD</sub>
	VOL	10% V <sub>DD</sub>
Pullability	±50ppm, ±100ppm, ±200ppm	
Output Load	CL=15pF	
Aging (at 25°C)	±3ppm per year	

**TEST CIRCUIT**

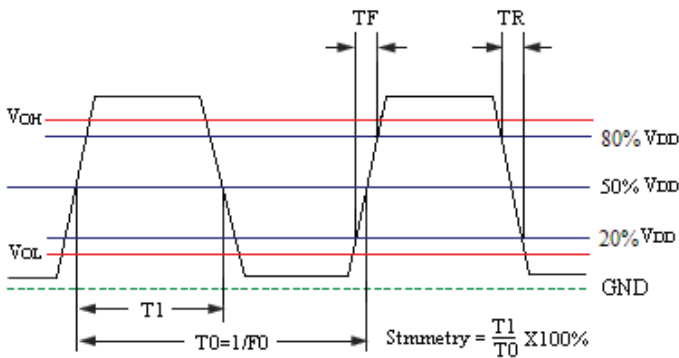


Pin	Connection
1#	V.Control
4#	GND
5#	Output
8#	VDD

\*Includes stray and probe capacitance

**PART NUMBERING SYSTEM (Example)**

**OUTPUT WAVEFORM**



**VCX08-11.0592-25-100-3.3-A-C-X**

