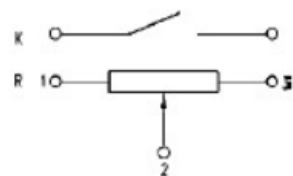
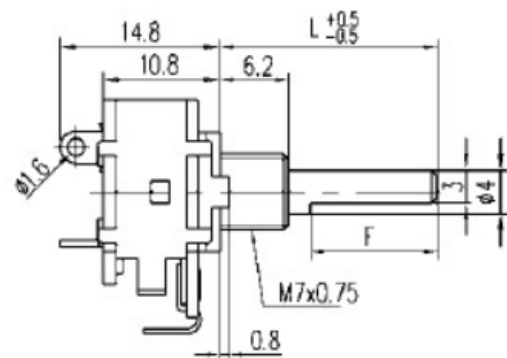
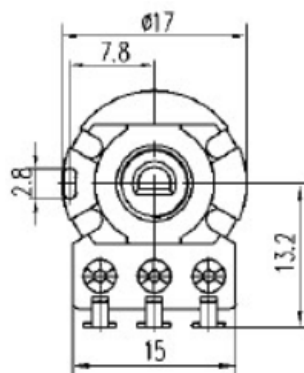


WH160AK-1- ϕ 4F



项目 Items	型号 Type	WH148-1AK	WH160AK/WH166	WH148-K	RV17	WH168	WH116AK	WH138
总机械旋转角 Total rotation angle		300°	300°	300°	260°	300°	270°	300°
动作力 Operating force		20~200gf.cm	20~200gf.cm	20~200gf.cm	20~200gf.cm	20~200gf.cm	20~200gf.cm	20~200gf.cm
止挡强度 Shaft Stopper Strength		6Kgf.cm/min	3Kgf.cm/min	4Kgf.cm/min	3Kgf.cm/min	5Kgf.cm/min	3Kgf.cm/min	6Kgf.cm/min
开关动作角度 Switch working angle		35±5°	35±5°	35±5°	30±10°	40±10°	3mm	50±10°
开关操作力 Switch working torque/force		50~300gf.cm	50~300gf.cm	50~400gf.cm	50~300gf.cm	50~300gf.cm	200~max	150~450gf.cm
额定功率 power Rating		0.125W 0.06W	0.125W 0.06W	0.125W 0.06W	0.125W 0.06W	0.125W 0.06W	0.125W 0.06W	0.2W 0.1W
额定电压 Rated voltage		200V 150V	200V 150V	200V 150V	200V 150V	200V 150V	200V 150V	500V 250V
绝缘电阻 Insulation resistance		DC500v 100MΩ	DC500v 100M	DC500v 100MΩ	DC500v 50MΩ	DC500v 100MΩ	DC500v 100MΩ	DC500v 100MΩ
耐电压 Withstanding Voltage		AC500V, 1minute	AC500V, 1minute	AC500V, 1minute	AC500V, 1minute	AC500V, 1minute	AC1000V, 1minute	AC500V, 1minute
开关接触电阻 Switch contact resistance		less than 20mΩ	less than 20mΩ	less than 20mΩ	less than 20mΩ	less than 20mΩ	less than 20mΩ	less than 20mΩ
开关额定功率 Switch ratings		16VDC 3A	12VDC 1A	16VDC 3A	12VDC 1A	125VDC 3A	250VDC 2A	125VDC 1A
机械耐久性 Mechanical endurance		10000 cycles	10000 cycles	10000 cycles	10000 cycles	10000 cycles	10000 cycles	10000 cycles
开关寿命 Switch life		10000 times	10000 times	10000 times	10000 times	10000 times	25000 times	10000 times