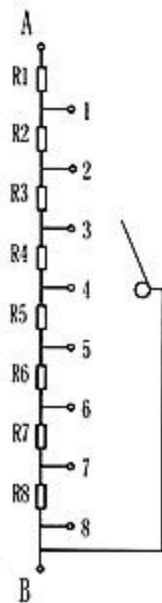
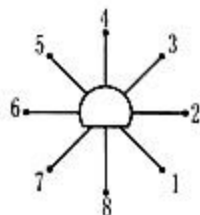
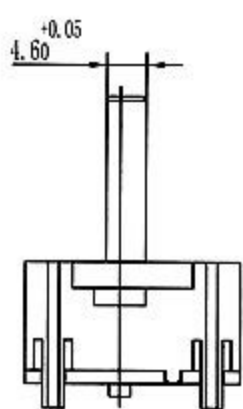
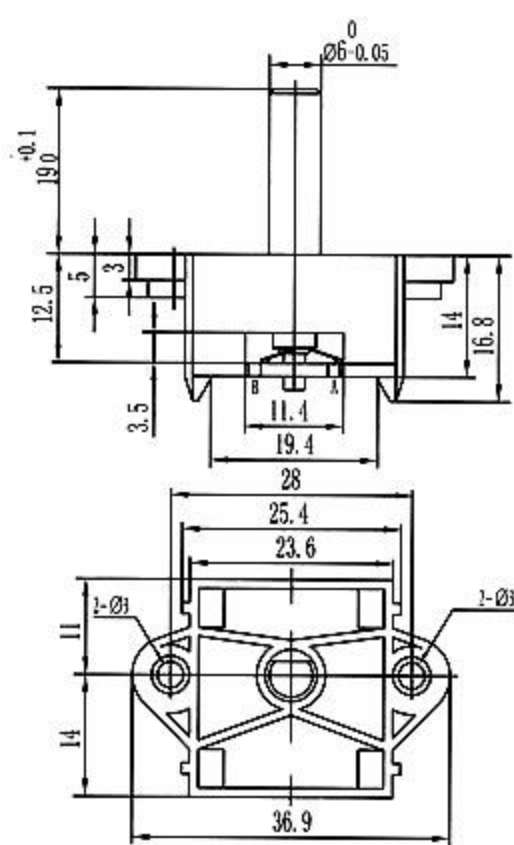


额定电压/电流	Rated voltage/rated current	DC200V 10mA
定位数目	Click Number	8 click
回转角度	Rotational angle	360° Endless
回转力距	Rotational torque	1000~1500gf/cm
回转寿命	Rotational life(cycles)	25000
接触电阻	Contact Resistance	20mΩ Max
绝缘电阻	Insulation Resistance	DC100V/100MΩ min
耐电压	Withstand Voltage	AC100V/1minute



电阻参数

位置(定位点)	阻值(Ω)	公差
1	0	±1%
2	910	
3	2.5K	
4	4.4K	
5	8.0K	
6	12.7K	
7	22.7K	
8	49.7K	