

DESCRIPTION

The SOC3 SMD Clock Oscillator has a small size for many applications, large temperature range available, complementary output available, enable disable function available and different designs depending on customers requirements.

ELECTRICAL SPECIFICATION

Frequency Range (Fo)	12.00 to 50.000MHz
Frequency Stability (all conditions)	±20ppm to ±100ppm Maximum
Operating Temperature Range	0 °C to +70 °C Standard (or Optional)
Storage Temperature Range	-40 °C to +85 °C
Input Voltage (V _{DD})	5V ±10% or 3.3V ±10%
Output Voltage	V _{OH} 90% V _{DD} Minimum V _{OL} 10% V _{DD} Maximum
Rise Time (tr)	10% V _{DD} - 90% V _{DD} 10ns (1.00 to 23.99MHz)
Fall Time (tf)	90% V _{DD} - 10% V _{DD} 6ns (24.00 to 100.00MHz)
Tri-State	ON High Impedance at Pin 3 OFF Output Active at Pin 3
Output Symmetry 1/2 V _{DD}	A 40 / 60% B 45 / 55% C 47.5 / 52.5%
Low Voltage	0.5V (10% V _{DD})
High Voltage	4.5V (90% V _{DD})
Aging (at 25 °C)	±3ppm per year
Output Load	CL=15pF / 1-10LS TTL

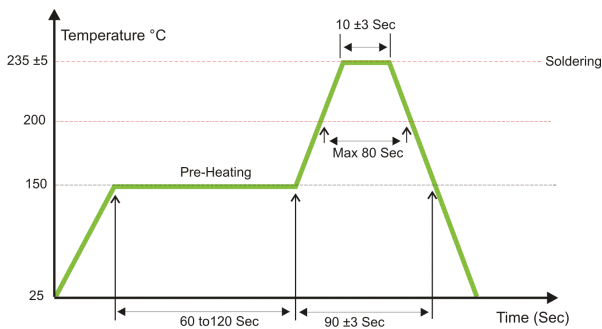
Wired oscillators can be processed manually or in solder wave. Oscillators with SMD-connections can be processed in convection, infrared or vapour phase soldering procedure, however, not over the head.

In solder machine mounted crystal or crystal oscillator can get a frequency offset which relaxes only after a view days, type depending.

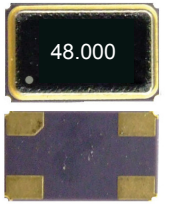
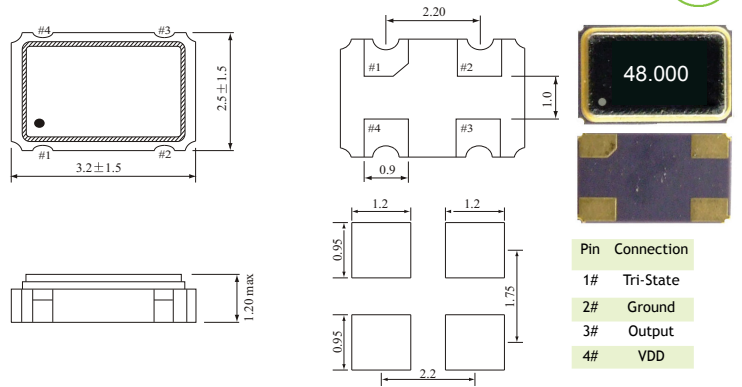
A storage under normal climate conditions (+5 °C to +35 °C and 40% to 75% a relative humidity) ensures a sufficient solderability of minimum 1 year. The solderability is typically still guaranteed beyond it.

Should the occasion of a long storage arise it has to be rechecked. For corresponding soldering profiles please refer to IEC 61760-1.

SOLDERING

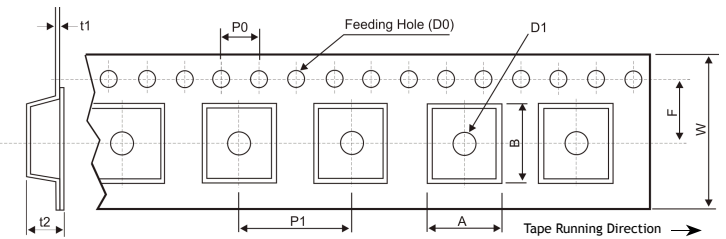


MECHANICAL DIMENSIONS (all in mm)



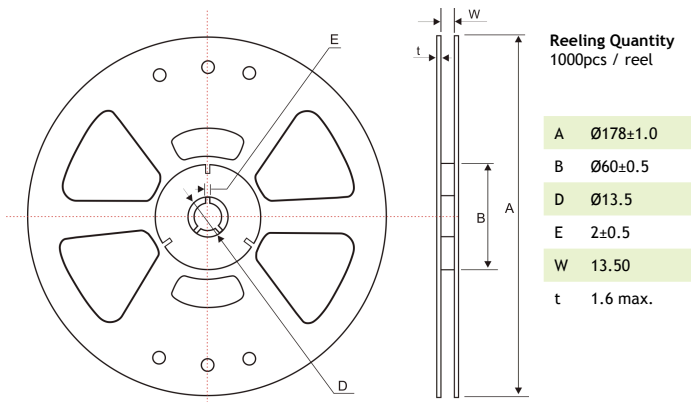
Pin	Connection
1#	Tri-State
2#	Ground
3#	Output
4#	VDD

TAPE SPECIFICATIONS (all in mm) - Carrier Tape Dimensions



W	F	P0	P1	D0	D1	t1	t2	A	B
12±0.3	7.5±0.05	4.0±0.1	4±0.1	Ø1.5±0.1	Ø1.0±0.25	1.2±0.03	1.5±0.1	2.8±0.1	3.5±0.1

All temperature refer to topside of the package, measured on the package body surface



Reeling Quantity	1000pcs / reel
A	Ø178±1.0
B	Ø60±0.5
D	Ø13.5
E	2±0.5
W	13.50
t	1.6 max.

PART NUMBERING SYSTEM (Example)

