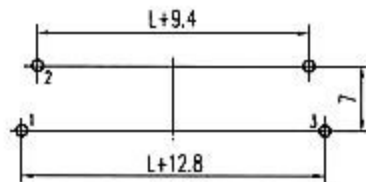
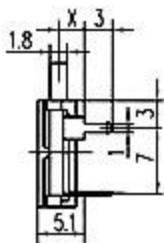
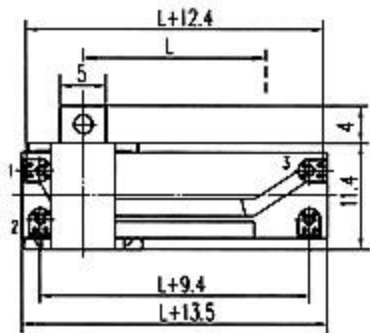


| | | | | | | | |
|---|---------------------|----------|-------|-------|-------|------|---------|
| 阻值范围 Resistance range | 500Ω TO 1MΩ | | | | | | |
| 阻值允许误差 Tolerance of resistance | ± 20% | | | | | | |
| 电值规律 Resistance(law) taper | ABCDW | | | | | | |
| 额定功率 Power Rating | 规律Taper \ 行程Travel | | 10mm | 15mm | 20mm | 30mm | 45-60mm |
| | 直线 B | 双联Single | 0.05 | 0.05 | 0.1 | 0.2 | 0.25 |
| | | 单联Dual | 0.025 | 0.025 | 0.05 | 0.1 | 0.125 |
| | 其它 Except B | 双联Single | 0.025 | 0.025 | 0.5 | 0.1 | 0.125 |
| | | 单联Dual | 0.012 | 0.012 | 0.025 | 0.05 | 0.05 |
| 额定电压 Rated voltage | 直线 B | | 100 | 100 | 200 | 200 | 200 |
| | 其它Except B | | 50 | 50 | 150 | 150 | 150 |
| 绝缘电阻 Insulation resistance | 10MΩ Min AT 250V DC | | | | | | |
| 耐电压 Withstanding Voltage | 1Min,AT 250V AC | | | | | | |
| 动作力 Operating force | 10~120gf.cm | | | | | | |
| 定位点起动力 Click slip-out force(only center click) | +20~150gf.cm | | | | | | |
| 滑动寿命 Sliding life | 10,000 Cycles | | | | | | |



- 1: $X=3.2$
- 2: $X=5.2$
- L: 10; 15; 20.