



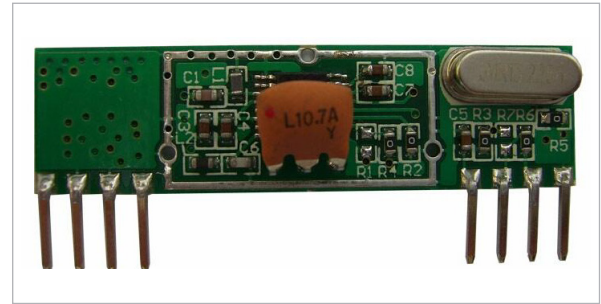
DESCRIPTION

The CY42 is ASK/OOK Super Heterodyne receiver module, which can be used to receive un-decoded data from the range of CY's Transmitter modules. The module is very simple to operate and offer a low current consumption. Data can be transmitted directly into a microprocessor or decoding device.

All receivers are compatible, producing CMOS/TTL Output, and only require connections to Power & Antenna.

FEATURES

- Frequency: 315MHz/433.92MHz (custom frequency is available)
- ASK/OOK Demodulation
- Stable Operating Frequency
- Low Current Consumption
- Wide Operating Voltage: 2.4~5.5VDC
- High Sensitivity : -110dBm

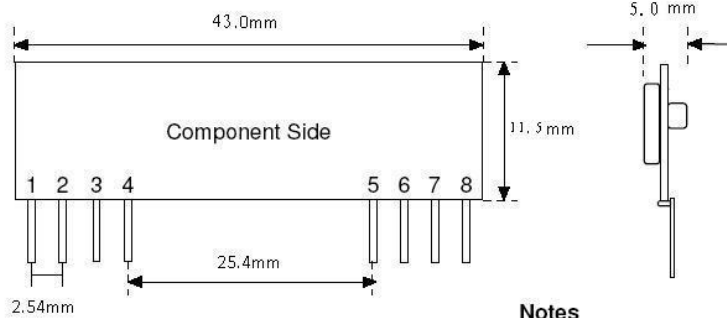


APPLICATION

- Wireless Security Systems
- Garage Door Controller
- Remote Gate Controls
- Data Communications
- Sensor Reporting

MECHANICAL DIMENSION

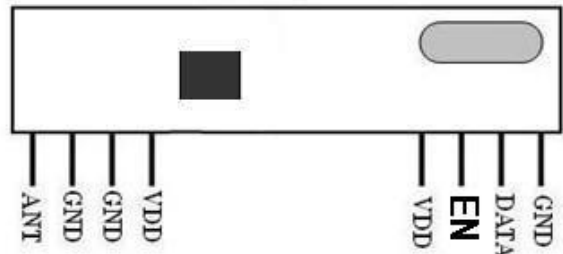
Figure 2 CY42 Dimension



Notes
Pins on 0.1" pitch
Pin Dims :0.25 x 0.50mm

PIN DEFINITION

Figure 1 CY42 Shape & Pins



Pin Name	Pin Definition
ANT	RF signal input pin
GND	Connect to negative power supply
GND	Connect to negative power supply
VDD	Connect to positive power supply
VDD	Connect to positive power supply
EN	Optional output: 1. DATA output (default setting); 2. Battery saving mode: (working mode in high level input) (Sleeping mode in low level input)
DATA	Data output pin
GND	Connect to negative power supply

Note 1: ANT pin is a 50 Ohm antenna input. The length is about: 23cm for 315MHz - 17cm for 433.92MHz

Condition: Ta=25°C VCC=5.0V Frequency=315MHz

ELECTRICAL CHARACTERISTICS					
Parameters	Condition	Reference Value			Unit
		Min	Typ	Max.	
Frequency Range	other freq. available	314.90	315.00	315.10	MHz
Receiver Sensitivity			-110		dBm
Data Rate	Manchester Code		2.4	4.8	Kbps
Supply Voltage VDD	DC	2.4	5.0	5.5	V
Current	DC		2.5		mA
Operating Temperature		-40		+85	°C

Condition: Ta=25°C VCC=5.0V Frequency=433.92MHz

ELECTRICAL CHARACTERISTICS					
Parameters	Condition	Reference Value			Unit
		Min	Typ	Max.	
Frequency Range	other freq. available	433.82	433.92	434.02	MHz
Receiver Sensitivity			-110		dBm
Data Rate	Manchester Code		2.4	4.8	Kbps
Supply Voltage VDD	DC	2.4	5.0	5.5	V
Current	DC		2.5		mA
Operating Temperature		-40		+85	°C

ORDER INFORMATION:

CY 42 - 433.92 X

