

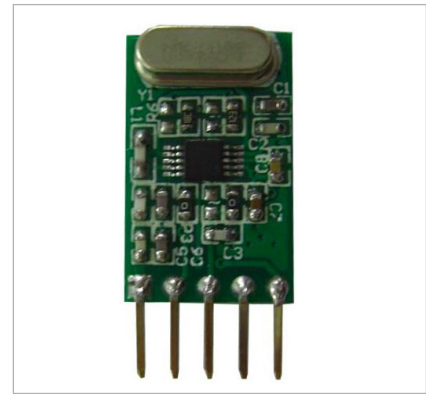


## DESCRIPTION

CYT12 ASK/OOK/FSK Wireless transmitting module is a ISM frequency band with superior performance. With European Brand Industrial Grade RF wireless data transmission receiving chip, CYT12 has strong output power, low voltage power supply. CYT12 is with the characteristics that easy to go through the FCC/CE certification. It can achieve data signal input to wireless signal output without any additional circuits. Users only need to add a simple data decoding circuit and it can easily achieve the development of wireless products.

## FEATURES

- Modulation: ASK/OOK/FSK;
- Frequency: 868.35MHz ;
- Operating Voltage: 2.1V ~ 4.0V;
- High Output Power: >6mW
- Circuit Shape: PLL (+50KHz), working frequency stable;
- Current when transmitting: 10mA, quiescent current 14.2mA, Power consumption can reach nA level with power enable mode.
- Operating temperature: -40+80°C ( Industrial Grade); It can work normally under hostile environment.
- Data rate: 2.4Kbps;
- The range can be up to 300m when matching with CY08.
- Input Signal : TTL level
- Dimension: 12.6x20.8x5.5mm



## APPLICATION

- Remote gate controls, Brake
- Remote keyless entry (RKE)
- Wireless control Curtain device
- Wireless security systems
- Wireless Industrial Control
- Wireless parking lot barrier

## MECHANICAL DIMENSION

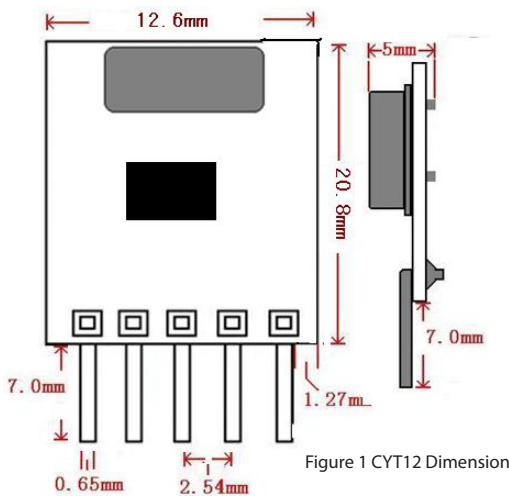


Figure 1 CYT12 Dimension

## PIN DEFINITION

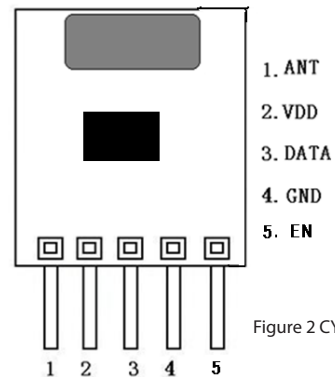


Figure 2 CYT12 Shape & Pins

Pin	Name	Pin Definition
1	ANT	Antenna In
2	VDD	Positive Power Supply
3	DATA	Data Input
4	GND	Ground
5	EN	Enable PIN . Active in High Level

Condition: Ta=25°C

ELECTRICAL CHARACTERISTICS						
Parameters	Symbol	Condition	Reference Value			Unit
			Min	Typ	Max.	
Frequency	Fc		866	868	870	MHz
Modulation			ASK/OOK/FSK			
Output power		3,3V / 50 Ohms		8		dBm
Data-rate				2.4k		Hz
Frequency Tolerate	Fc			±50k		Hz
Current	IRC				14.2	mA
Working Voltage	VCC		2.1	3.3	4.0	V
Working Temperature	TC		-40		+85	°C

## ORDER INFORMATION:

### CYT 12 - 868M

