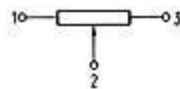
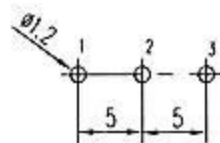
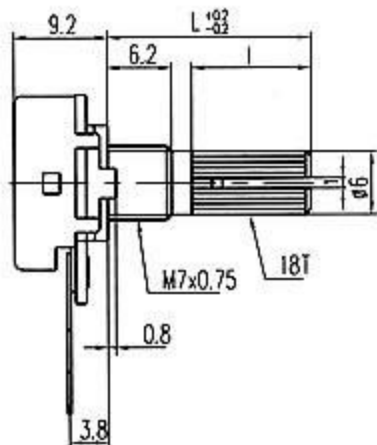
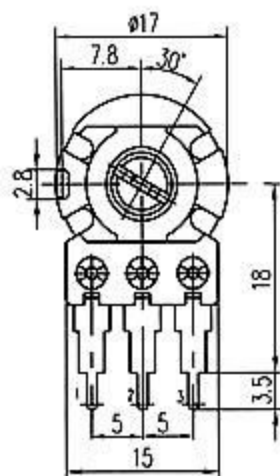
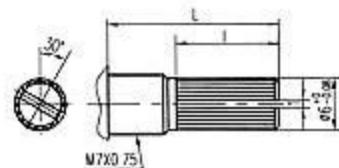


阻值允许误差 Tolerance of resistance	$\pm 20\%$		绝缘电阻 Insulation resistance	DC500V	100M $\Omega$ min
额定功率 power Rating	0.0125W	0.06W	耐电压 Withstanding Voltage	AC500V	1 minute
额定电压 Rated voltage	250V	150V	总机械旋转角度 Total rotation angle		300 $\pm 5^\circ$
转动噪声 Rotational noise	$\leq 47$ mv		动作力 Operating force		20~200gf.cm
双联同步误差 Tracking error	0~-40db $\pm 3$ db		止挡强度 Shaft Stopper Strength		6Kgf/cm min
			机械耐久性 Mechanical endurance		10000周min turns



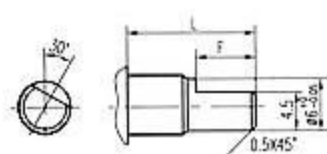
Standard Shaft Size:

●18T



L	15	20	25	30
I	7	12	12	12

●F



L	15	20	25	30
F	7	12	12	12