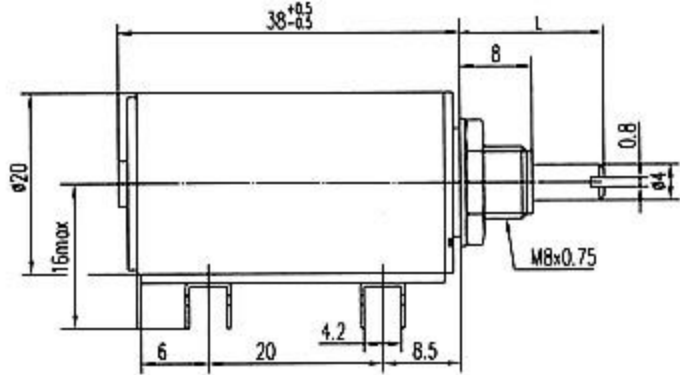
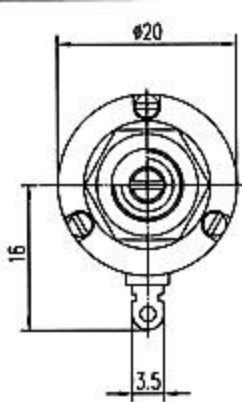


型号 Type 项目 Items	WX110	WX112	WX118	WXD3590	WXD534	WXD3-13	WX14
阻值范围 Resistance range	22Ω~10kΩ	22Ω~47kΩ	100Ω~20kΩ	200Ω~100kΩ	200Ω~100kΩ	100Ω~56kΩ	27Ω~22kΩ
阻值允许误差 Tolerance of resistance	±5% ±10%	±5% ±10%	±5%	±5%	±5%	±5%	±5% ±10%
总机械行程 Total mechanical travel	300±10°	300±10°	285±5°	3600±10°	3600±10°	3600±20°	300±10°
起动力矩 Operating force	3.5~100mN.m	3.5~100mN.m	3.5~100mN.m	3.5~100mN.m	3.5~100mN.m	3.5~100mN.m	3.5~100mN.m
额定电压 Rated voltage	100V	320V	200V	160V	160V	160V	200V
额定功率 Power Rating	1W	5W	1W(40℃)	2W(55℃) 0W(125℃)	2W(55℃) 0W(125℃)	2W(55℃) 0W(100℃)	3W(85℃) 0W(125℃)



L: 16. 20. 25.