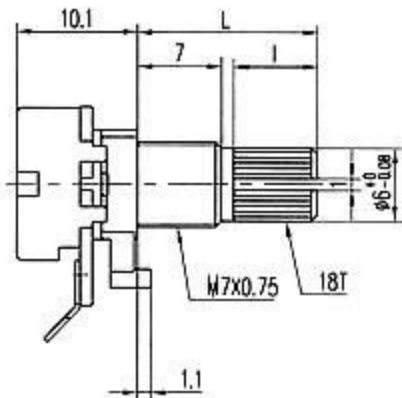
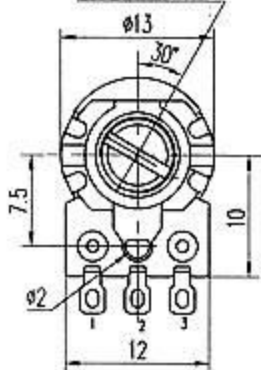


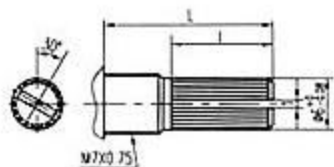
阻值允许误差 Tolerance of resistance	$\pm 20\%$	绝缘电阻 Insulation resistance	DC250V 100M $\Omega$ min
额定功率 power Rating	0.05W	耐电压 Withstanding Voltage	AC300V 1 minute
额定电压 Rated voltage	50V AC/ DC 20V	总机械旋转角度 Total rotation angle	$300 \pm 5^\circ$
转动噪声 Rotational noise	$\leq 47\text{mv}$	动作力 Operating force	20~200gf.cm
开关额定功率 Switch ratings	16VDC 3A	开关动作角度 Switch working Angle	$35 \pm 5^\circ$
双联同步误差 Tracking error	0~40db $\pm 3\text{db}$	开关操作力 Switch working torque/force	50~300gf.cm
		止挡强度 Shaft Stopper Strength	4Kgf.cm min
		机械耐久性 Mechanical endurance	10000M min turns

SHAFT SHOWN IN  
FULL C.C.W POSITION



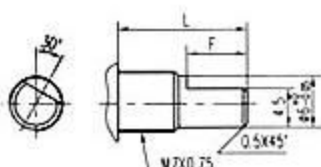
Standard Shaft Size:

● 18T



L	15	20	25	30
1	7	12	12	12

F



L	15	20	25	30
F	7	12	12	12