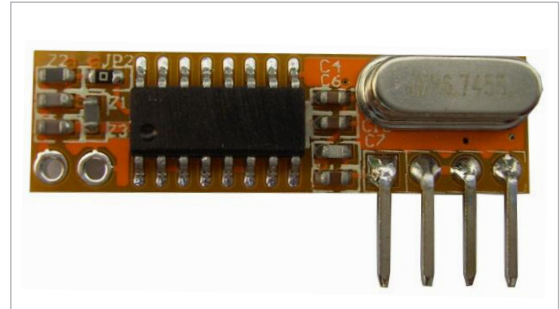




DESCRIPTION

CY19 is an ASK/OOK receiver super-heterodyne, which is designed specifically for unlicensed remote-control and wireless security receiver operating at 315/433.92MHz under FCC Part 15 regulation or pass ETSI certification. The CY19 is based on a single-conversion, super-heterodyne receiver architecture and incorporates an entire Phase-Locked Loop (PLL) for precise local oscillator generation. It can be used in OOK/ HCS/ PWM modulation signal and demodulate to digital signal. The CY19 is a high performance module at a competitive cost and easily to design for your product. The CY19 module can be also a RoHS compliant product.



FEATURES

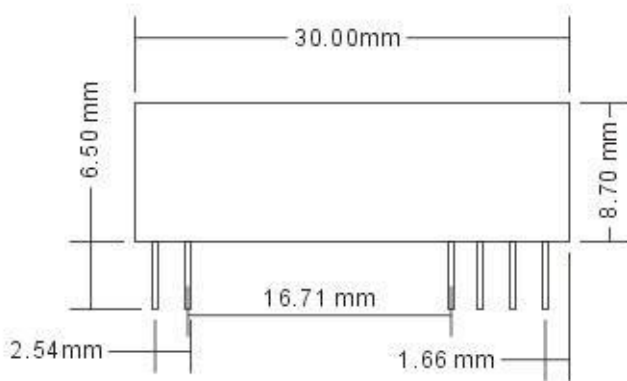
- Low cost ASK/AM radio superhet receiver
- High frequency stability (no adjust components) & coherence
- Very low RF re-radiation at the antenna
- Operation temperature -20 ~70 degrees centigrade
- Supply voltage: 2.8~5.5v
- Available frequency: 315/433.92MHz (other Frequency customer selectable)
- Compatible with most AM (ASK/OOK) transmitters
- Lead Temperature (soldering, 3s): 330 degrees centigrade

APPLICATION

- Smart home system
- Remote controls
- Remote fan and light control
- Garage door and gate openers
- Alarm and security system

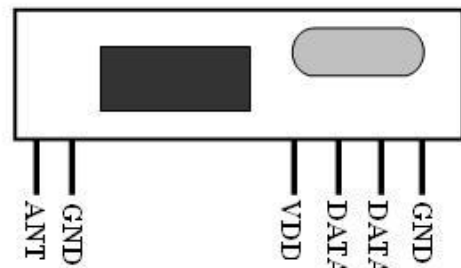
MECHANICAL DIMENSION

Figure 2 CY19 Dimension



PIN DEFINITION

Figure 1 CY19 Shape & Pins



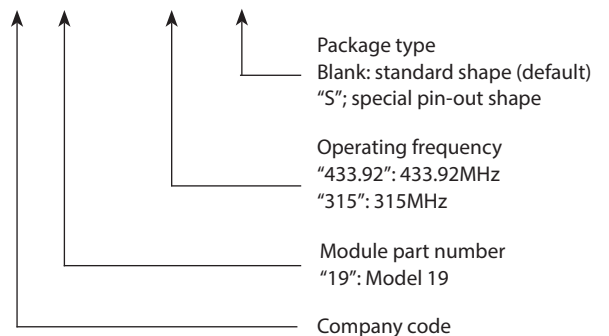
Please note: CY19 is come with standard 4 PINs (without pin 1&2). Please notify us if you would like 6PINs.

Pin Name	Pin Definition
ANT	RF signal input pin, connect antenna outside (note1)
GND	Connect to negative power supply
VDD	Connect to positive power supply
DATA	Data output pin, connect to MCU or decoder's input pin
DATA	Data output pin, connect to MCU or decoder's input pin
GND	Connect to negative power supply

Note 1: ANT pin is a 50 Ohm antenna input. The length is about:
23cm for 315MHz
17cm for 433.92MHz

ORDER INFORMATION:

CY 19 - 433.92 X



ELECTRICAL CHARACTERISTICS					
Parameters	Condition	Reference Value			Unit
		Min	Typ	Max.	
Frequency Range		300	315/433.92	450	MHz
Receiver Sensitivity		-110		-105	dBm
Data Rate			2.4	9.6	Kbaud
Supply Voltage VDD	DC	3.0		5.5	V
Current		5.7		7.3	mA
Operating Temperature		-20		+85	°C