



DESCRIPTION

CYT5 is a ASK radio transmitter module. This module is a superior performance transmitter module for ISM band. With the adoption of European brand RF wireless data transferring/ receiver chipsets, it has advantage at strong transmission power, low voltage power supplying, easily through the Fcc/CE authentication. It can do wireless signal input to the data signal output without any external circuit. Users only need to decode the data plus a simple circuit and then any wireless products development can be easily achieved.

FEATURES

- High output power: +10dBm;
- Low operation voltage: VCC= 1.8 to 3.6 V;
- Frequency: 315MHz/433.92MHz(custom frequency is available);
- Frequency tolerance: ±50 KHz;
- The range can be up to 200m when matching with CY11;
- Operating temperature: -20°C+70°C(It can custom to -40~85°C upon requests);
- Frequency tolerance: ±30 KHz;
- Bit rate: <3kbps;
- Circuit Shape: PLL.



MECHANICAL DIMENSION

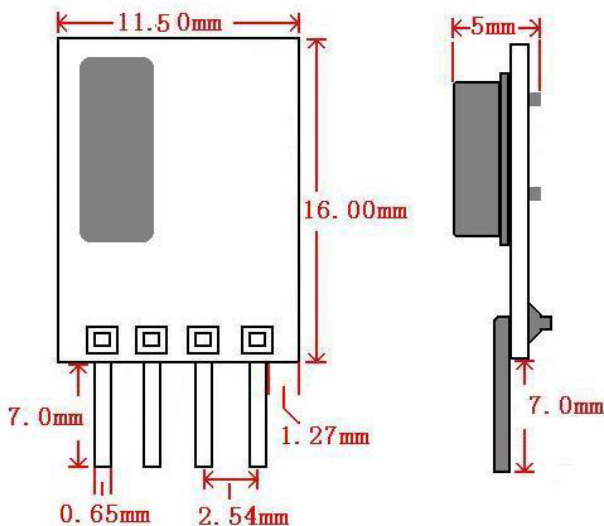


Figure 1 CYT5 Dimension

APPLICATION

- Remote gate controls
- Remote keyless entry
- Car alarm systems
- Wireless security systems
- Automation systems
- Remote control systems

PIN DEFINITION

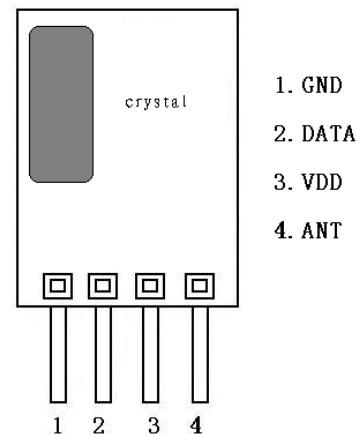


Figure 2 CYT5 Shape & Pins

VDD-GDN 1.8V-3.6V TA-25°C

ELECTRICAL CHARACTERISTICS						
Parameters	Symbol	Condition	Reference Value			Unit
			Min	Typ	Max.	
Frequency	Fc		315	433.92		MHz
Modulation Mode			ASK			
Output power		3V / 50 Ohms		10		dBm
Data-rate				2.4k		Hz
Frequency Tolerate	Fc			±50k		Hz
Current	IRC				9.5	mA
Working Voltage	VCC		1.8		3.6	V
Working Temperature	TC		-20		+70	°C

Pin-out as showed in figure 1

Pin	Name	Pin Definition
1	GND	Ground
2	DATA	Data connected to MCU
3	VDD	Positive Supply Power
4	ANT	Antenna Out

Please Note:

CYT5 is come with standard 3 Vertical PINs as the picture showed (without the ANT pin). Please notify us if you would like 4 PINs or horizontal pin.