

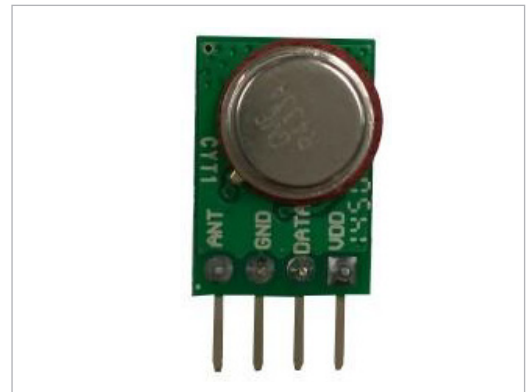


**DESCRIPTION**

The CYT1 is an ASK transmitter module .It is simple to use with excellent performance .The CYT1 is designed specifically for remote-control, wireless mouse and car alarm system operating at 315MHz/433.92MHz

**FEATURES**

- The range can be 500m when matching with CY11
- Operation voltage: VCC= 2.6 to 12V;
- Frequency: 315MHz/433.92MHz (custom frequency is available);
- High output power: 15dBm;
- Frequency tolerance: ±75 KHz;
- Current: 12mA;
- Operating temperature: -20°C+70°C
- Bit rate: <1.2kbps;



**APPLICATION**

- Remote gate controls
- Remote keyless entry
- Car alarm systems
- Wireless security systems
- Automation systems

**MECHANICAL DIMENSION**

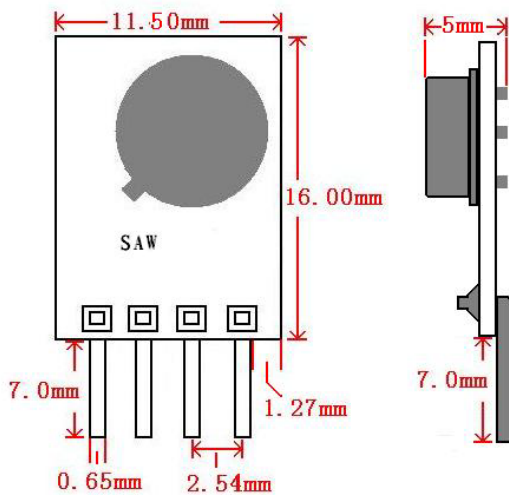


Figure 2 CY01 Dimension

**PIN DEFINITION**

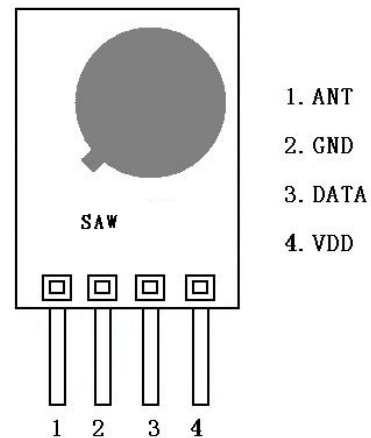


Figure 1 CYT1 Shape & Pins

ELECTRICAL CHARACTERISTICS						
Parameters	Symbol	Condition	Reference Value			Unit
			Min	Typ	Max.	
Frequency	Fc		315		433.92	MHz
Modulation Mode			ASK			
Output Power		5V / 50 Ohms		12		dBm
Date-rate				1.2K		Hz
Frequency Tolerate	Fc			±75k		Hz
Current	IRC				12	mA
Working Voltage	VCC		2.6		12	V
Working Temperature	TC		-20		+70	°C

Pin-out as showed in figure 1

Pin Name	Pin Definition
ANT	Antenna Out
GND	Connect to negative power supply
DATA	Data connected to MCU
VDD	Connect to positive power supply