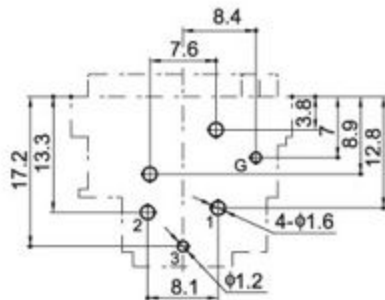
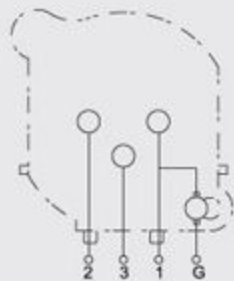


PCB LAYOUT
(VIEWED FROM COPPER SIDE)



SCHEMATIC LAYOUT



锁释方式: "F"型锁扣片 (F Type Locking Plate)
接地方式: "U"型接地片 (U Type Ground Link)