

Series OCH
20.3 x 12.7 mm Oven Controlled Crystal Oscillator

FEATURE

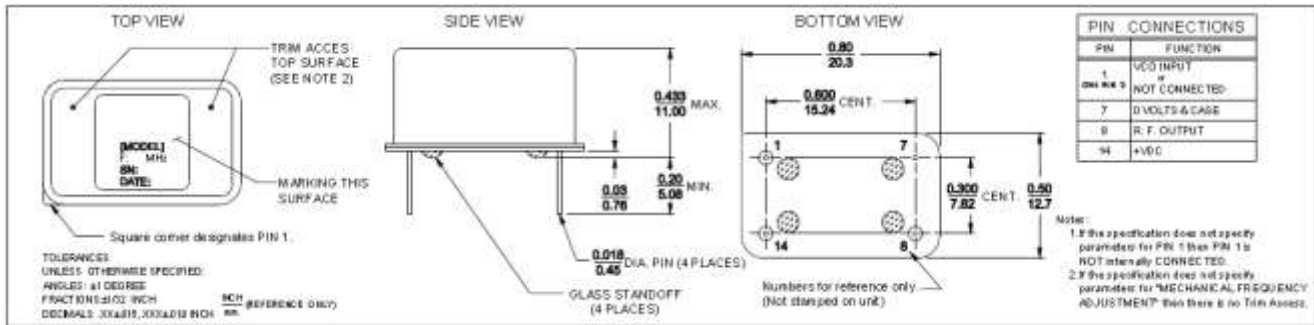
- Dimension 20.3 x 12.7 x 11.0 mm typical.
- Stratum 3 (Overall ± 4.6 ppm including 10 years aging.)



TYPICAL APPLICATION

- SDH/SONET , Telecommunication base station
- Test and measurement equipment
- Synthesizer , Digital switch , Reference Timing Circuit

DIMENSION



ELECTRICAL SPECIFICATION

Series OCH
20.3 x 12.7 mm Oven Controlled Crystal Oscillator

Parameter	Min.	Typ.	Max.	Unit	Test Condition &Noted
Output					
Frequency		10		MHz	Available frequency range is from 5MHz to 40MHz. Standard Frequencies are 10,12.8,15.36,19.2,20,26 and 38.88MHz.
Waveform		Rectangular			Sine wave output is available. Consult factory for more information
Level		HCOMS			
"1" Level	3.5			V	
"0"Level			0.5		
Load		15		pF	
Duty cycle	45	50	55	%	@+2.0 V
Spurious			-60	dBc	
Frequency Stability					
Ambient	-0.1		+0.1	ppm	-30°C to +70°C, referenced to +25°C. Refer to Freq.stability Vs Temp. Range table
Aging	-5.0		5.0	ppb	Per day, at time of shipment after 30days
Daily	-5.0		5.0	ppb	
Yearly	-0.5		0.5	ppm	
10 years	-3.0		3.0	ppm	
Voltage	-50.0		50.0	ppb	±5% change
Warm-up	-0.1		+0.1	ppm	In 2 minutes @ +25 °C, referenced to 1 hour
Phase Noise			-105.0	dBc/HZ	@ 10 Hz
			-130.0		@ 100 Hz
			-140.0		@ 1kHz
			-150.0		@10 kHz
Electrical Frequency Adjustment					
Range			-5.0	ppm	VCO @ 0 V
	5.0				VCO @ +5.0V
Control	0	2.5	5.0	V	
Slope		Positive			
Input impedance	100			KΩ	
Input Power					

Series OCH
20.3 x 12.7 mm Oven Controlled Crystal Oscillator

Voltage	4.75	5.0	5.25	V	3.3V Input voltage is available. Consult factory for Control voltage and output level	
Current			400	mA		@ turn on
Steady state			0.8	W		@ +25°C

Packing: 40 pcs/Box, 5 boxes/Carton, 200 pcs/Carton

FREQ. STABILITY vs TEMP. RANGR

ppb Tem.(°C)	±50	±100	±200
0 ~+70	0	O	O
'-30 ~+70	Δ	O	O
'-40 ~+85	Δ	O	O

O: Available Δ: Conditional X: Not available