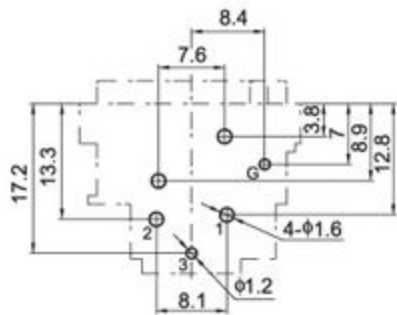
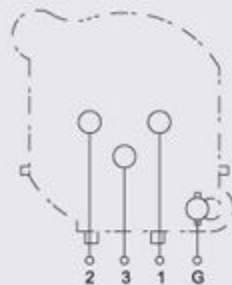


PC.B LAYOUT
(VIEWED FROM COPPER SIDE)



SCHEMATIC LAYOUT



锁释方式: 'E'型锁扣片 (E Type Locking Plate)
接地方式: 'B'型接地片 (B Type Ground Link)