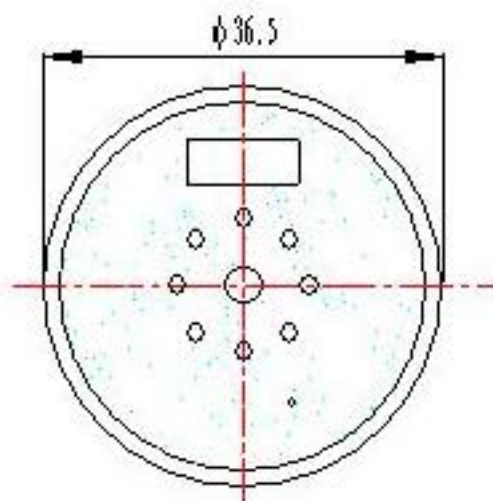
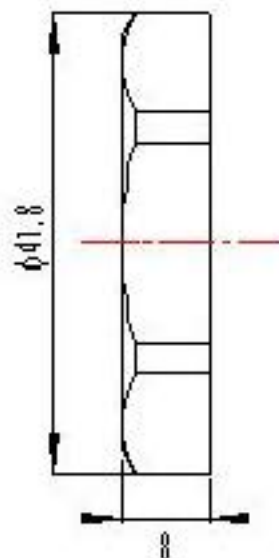


1	Operating voltage	5.0~20.0 VDC
2	Rated voltage	12 VDC
3	SPL	85dB Min. at 12VDC/100cm
4	Frequency Response	3000±500Hz
5	Max. Rated Current	18.0mA/12VDC
6	Tone Nature	Fast Pulse (180±20% Pulse/min)
7	Housing Material	ABS/Black
8	Terminal	Plug
9	Operating temperature	-20~+70 °C
10	Storage temperature	-30~+85 °C
11	Weight	25.0g

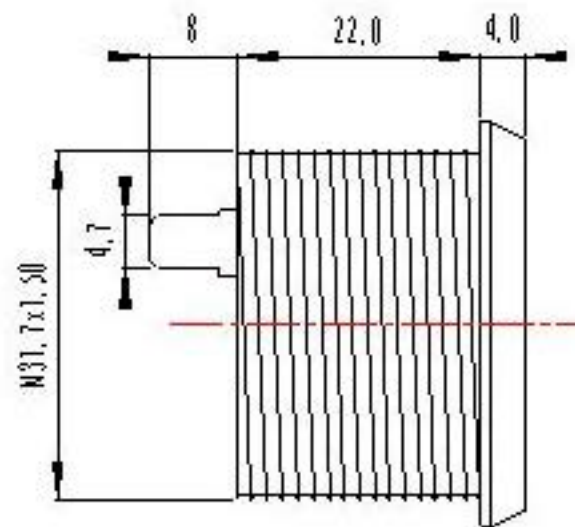
TOP VIEW



NUT



SIDE VIEW



BOTTOM VIEW

