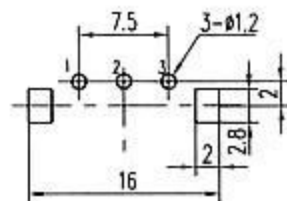
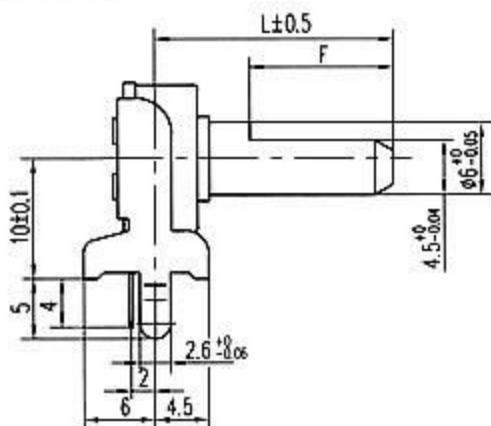
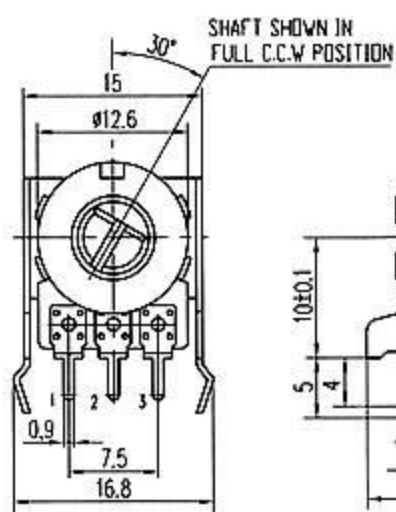
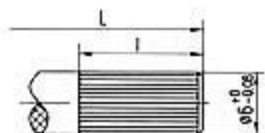


阻值允许误差 Tolerance of resistance	$\pm 20\%$	绝缘电阻 Insulation resistance	DC250V 100M $\Omega$ min
额定功率 power Rating	0.05W	耐电压 Withstanding Voltage	AC300V 1 minute
额定电压 Rated voltage	50V AC/ DC 20V	总机械旋转角度 Total rotational Angle	$300 \pm 5^\circ$
转动噪声 Rotational noise	$\leq 47\text{mv}$	动作力 Operating force	20 ~ 200gf.cm
双联同步误差 Tracking error	B 0~20db $\pm 2\text{db}$ A C D 0~40db $\pm 3\text{db}$	止挡强度 Shaft Stopper Strength	4Kgf.cm min
		机械耐久性 Mechanical endurance	10000周min turns



Standard Shaft Size:

● 18T



型号 TYPE

L

15

20

25

30

35

WH0122-1

WH12113

WH123-1

I

5

7

12

12

12

WH0122-2

WH0122-3

WH0122-4

I

/

5

7

12

12

WH0122-2S

WH12111

WH123-2

型号

TYPE

L

15

20

25

30

35

WH0122-1

WH12113

WH123-1

F

4.5

7

12

12

12

WH0122-2

WH0122-3

WH0122-4

F

/

4.5

7

12

12

WH0122-2S

WH12111

WH123-2

● F

