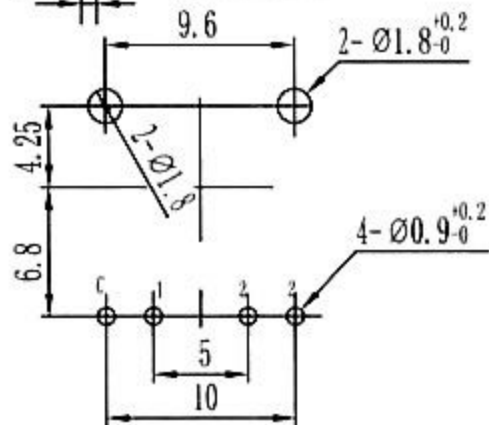
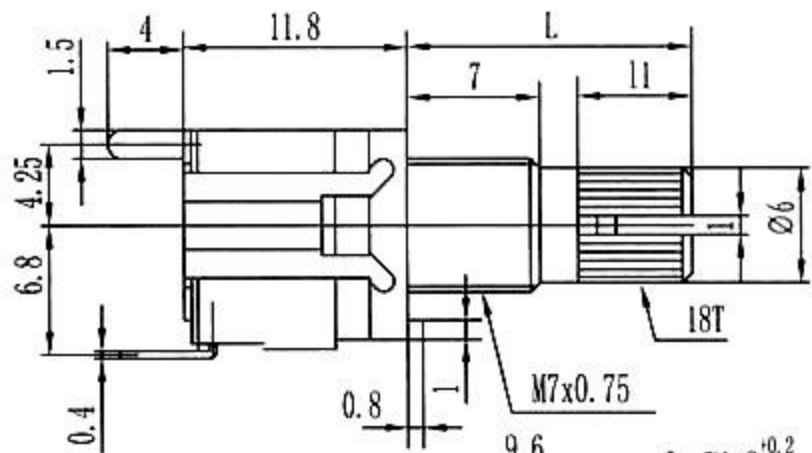
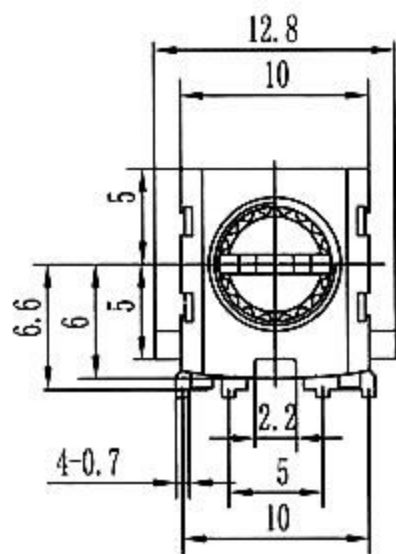


型号 Type 项目 Items	EC20	KBX20-1	KHX	SR12-2	SR17	RS25
定位数目 Click Number	15 Click	5 Click	—	2/3/4 Click	2~8 Click	2~6 Click
回转角度 Rotational angle	300°	360° Eneless	-30° ~30°	Step Angle30°	Step Angle30°	Step Angle30°
回转力距 Rotational torque	DC5V 10mA	DC5V 10mA	DC5V 0.1A	DC5V 3A	DC5V 1A	DC5V 1A
额定电压/电流产 Rated voltage/rated current	50~200	50~200	150±70	150±70	150±70	150±70
回转寿命 Rotational life(cycles)	10000	10000	10000	10000	10000	10000
接触电阻 Contact Resistance	50mΩ Max	50mΩ Max	50mΩ Max	50mΩ Max	50mΩ Max	50mΩ Max
绝缘电阻 Insulation Resistance	DC100V/100MΩ Min					
耐电压 Withstand Voltage	AC100V/1Minute					



Material	30°	0°	30°
1		12°	12°
2			
C			

CCW CW