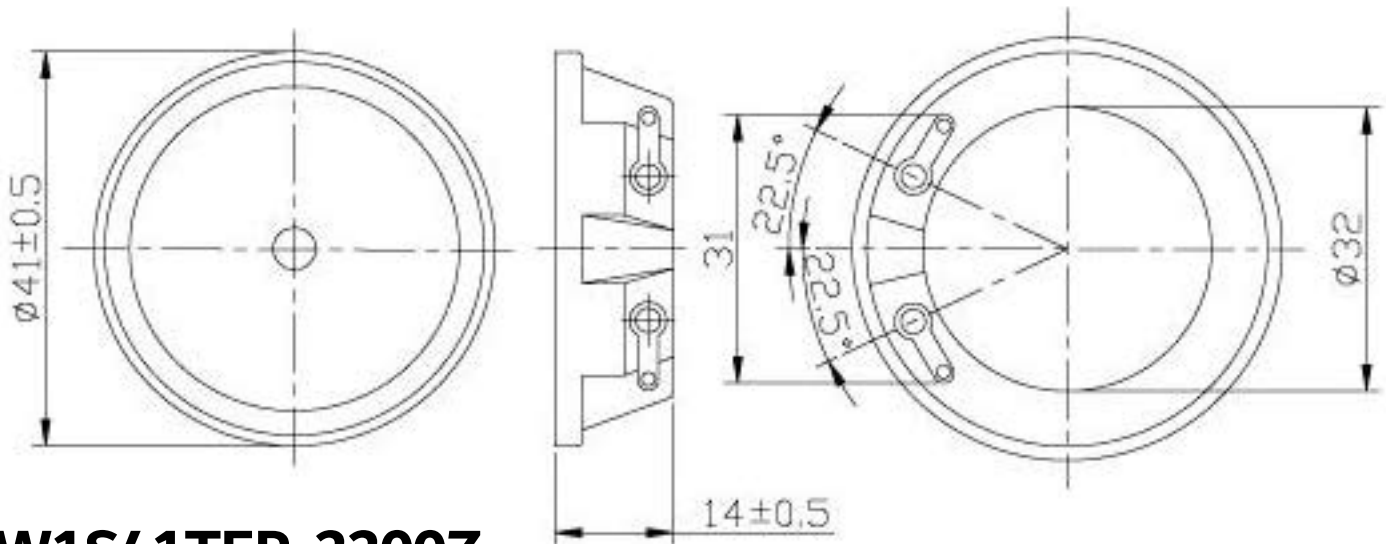


1	SPL	$\geq 90\text{dBA}/22\text{KHz}/2.83\text{V rms, Sine Wave}/50\text{cm}$
2	Input voltage	$\leq 10\text{V rms}$
3	Frequency Range	10Hz~50KHz
4	Housing material	ABS-777D/Black
5	Terminal	Plate
6	Operating temperature	-10~+50°C
7	Storage temperature	-15~+65°C
8	Weight	6.5g



**AW1S41TEP-2200Z**