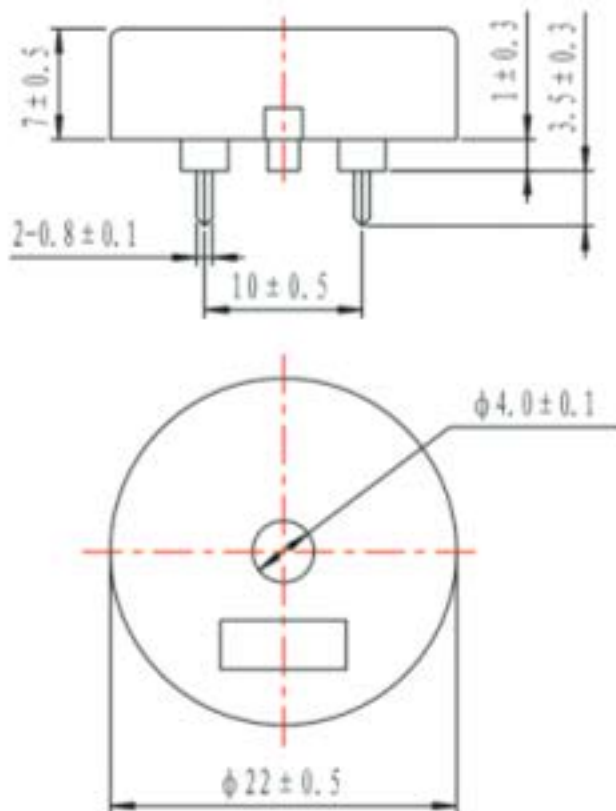


NO.	项目Item	标准Specification
1	声压 sound pressure level	85dB/min. At 3.0Vrms sine wave/10cm/praxis
2	谐振频率response frequency	$4.0 \pm 0.5$ KHz
3	静电电容static capaciatance	$15000\text{pF} \pm 30\%$ at 1KHz/1V
4	重量weight	3.0g
5	外壳材质housing maferial	PBT/Black
6	接口terminal	出针/pins
7	工作温度 Operating temperature	$-30 \sim 70^{\circ}\text{C}$
8	贮存温度 Storage temperature	$-40 \sim 85^{\circ}\text{C}$



**AW1S22TEP-406Z**