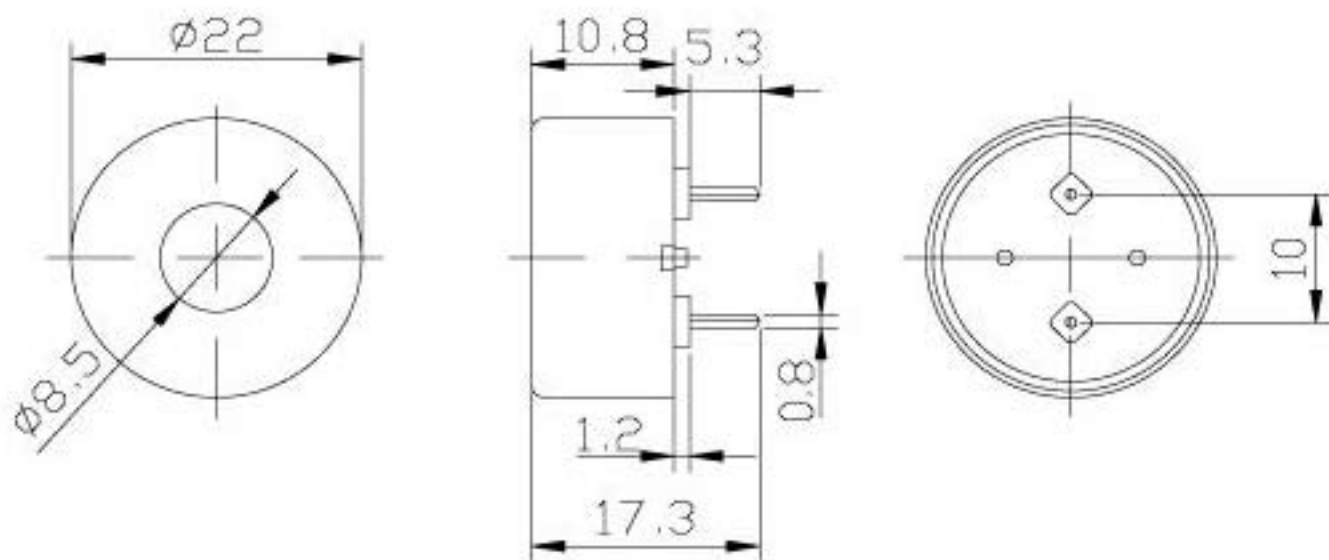


NO.	项目Item	标准Specification	附注Note
1	SPL	$\geq 80\text{dB}$	4000Hz/3Vrms, Sine Wave/10cm
2	Input voltage	$\leq 30\text{Vrms}$	
3	Resonant frequency	4000Hz	
4	Electrostatic capacity	$15000 \pm 30\% \text{ pF}$	at 1kHz/1V
5	Housing material	PBT	BLACK
6	Lead pin material	BRONZE	
7	Operating temperature	$-30 \sim +70^{\circ}\text{C}$	
8	Storage temperature	$-40 \sim +80^{\circ}\text{C}$	
9	Weight	3.2g	



**AW2S22TEP-407**