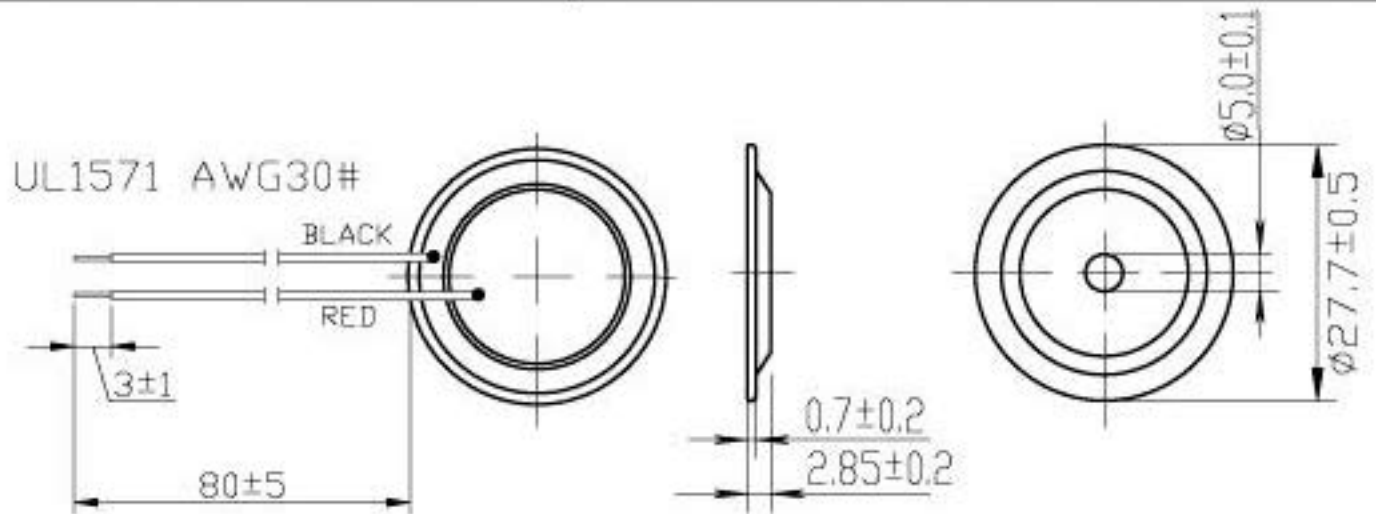


1	SPL	$\geq 85\text{dB} / 4000\text{Hz} / 9\text{Vp-p, Square Wave} / 10\text{cm}$
2	Input voltage	$\leq 40\text{V rms}$
3	Resonant frequency	4000Hz
4	Electrostatic capacity	$25000 \pm 30\% \text{ pF} / \text{at } 1\text{kHz} / 1\text{V}$
5	Housing material	Aluminum
6	Lead wires	UL1571 AWG 30#/Red&Black
7	Operating temperature	$-20 \sim +60^\circ\text{C}$
8	Storage temperature	$-30 \sim +70^\circ\text{C}$
9	Weight	2g



AW1S27.6TEL-401