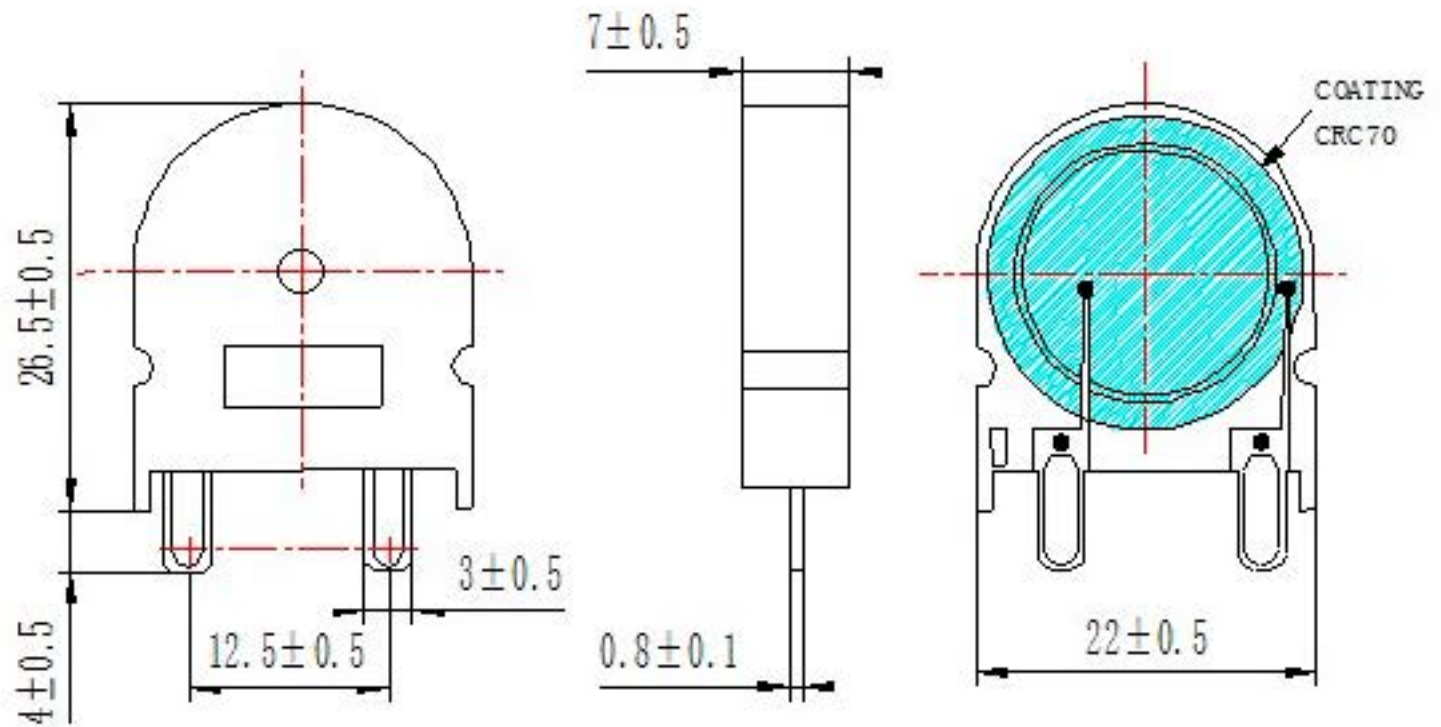


1	Sound pressure level	70 dB min. at 2.0KHz/3Vp-p Square Wave/10cm/Praxis
2	Max. input voltage	30Vp-p
3	Frequency Response Fr	2.0±0.5kHz
4	static capacitance	20000±30%pF at 120Hz
5	Housing material	PBT/BLACK
6	Terminal	Pins
7	Operating Tem. Range	-20°C~+70°C
8	Storage Tem. Range	-30°C~+70°C
9	Weight	3.0 g



AW2S22TEP040-207Z