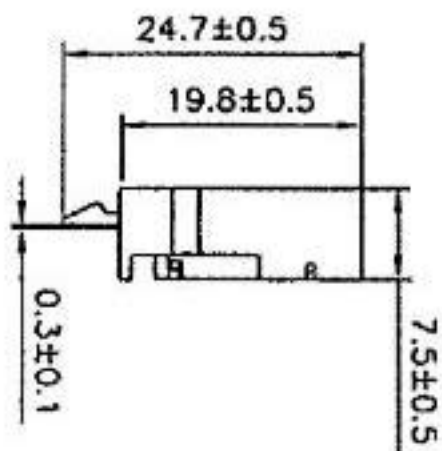
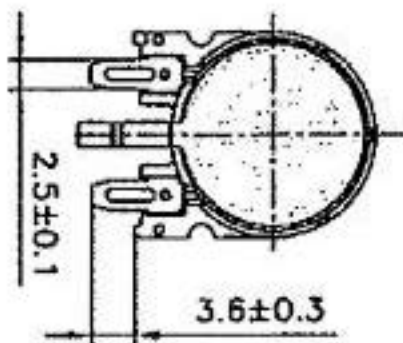


1	SPL	75 dB Min. at 3.0Vp- Square Wave/10cm/4000Hz/Praxis
2	Max. input voltage	30Vp-p
3	Frequency Response	4.0±0.5KHz
4	Electrostatic capacity	15000±30%PF at 120 Hz
5	Housing Material	PBT
6	Terminal	Pins
7	Operating temperature	-20~+60 °C
8	Storage temperature	-30~+70 °C
9	Weight	3.0 g

SIDE VIEW



BOTTOM VIEW



TOP VIEW

