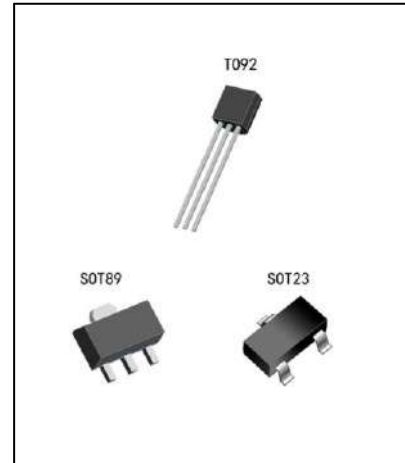


50mA Current, 15V Input Voltage LDO

CY71XX-1

General Description

The CY71XX-1 series is a set of three-terminal low power high voltage regulators implemented in CMOS technology. They allow input voltages as high as 18V. They are available with several fixed output voltages ranging from 2.1V to 5.0V. CMOS technology ensures low voltage drop and low quiescent current. Although designed primarily as fixed voltage regulators, these devices can be used with external components to obtain variable voltages and currents.



Features

- Low power consumption
- Low temperature coefficient
- Low voltage drop
- High input voltage (up to 15V)
- Output voltage accuracy: tolerance $\pm 2\%$
- TO92, SOT89 and SOT23 package

Applications

- Battery-powered equipment
- Communication equipment
- Audio/Video equipment



Order specification

Part No	Package	Manner of Packing	Devices per bag/reel
CY71XX-1TX	TO92	Bag	1000PCS/bag
CY71XX-1PX	SOT89	Reel	1000PCS/reel
CY71XX-1NX	SOT23	Reel	3000PCS/reel

Description of selection

Part No	Output Voltage	Output Voltage Accuracy
CY7121-1XX	2.1V	±2%
CY7123-1XX	2.3V	±2%
CY7125-1XX	2.5V	±2%
CY7127-1XX	2.7V	±2%
CY7130-1XX	3.0V	±2%
CY7133-1XX	3.3V	±2%
CY7136-1XX	3.6V	±2%
CY7144-1XX	4.4V	±2%
CY7150-1XX	5.0V	±2%

Print rules

Package	Marking
TO92	CY71XXA-1
SOT89	CY71XX-1
SOT23	CYHTXX

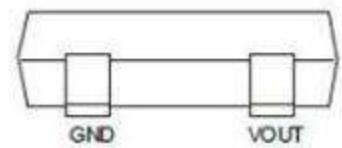
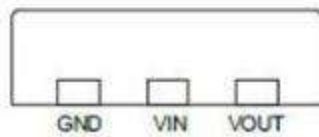
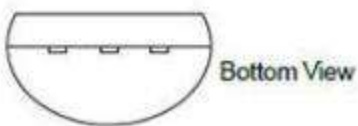
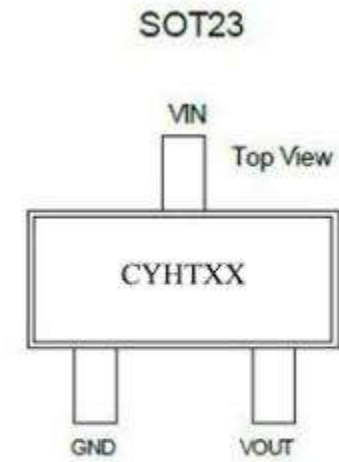
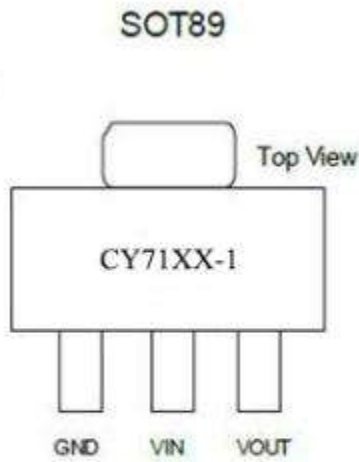
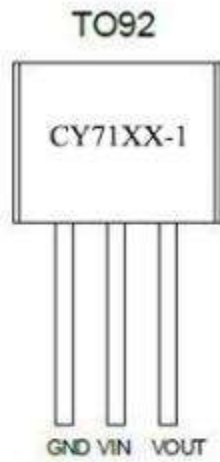
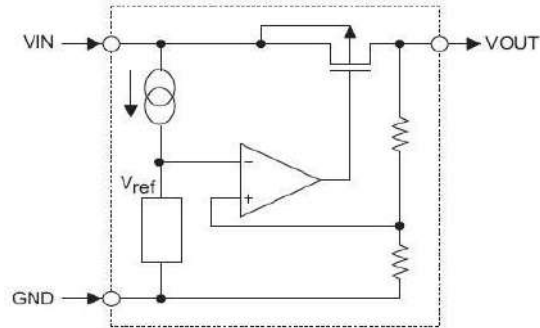
Note:"XX" stands for output voltages.

Type selection guide

CY71①②-1③④

Designator	Symbol	Description
①②	Integer	Output Voltage(2.1~5.0V)
③	T	Package:TO-92
	P	Package:SOT89
	N	Package:SOT23
④	R	RoHS / Pb Free
	G	Halogen Free

Block Diagram and Pin Arrangement Diagram



Pin Assignment

Pin No.	Pin Name	Description
1	GND	Ground connection.
2	VIN	Supply Voltage Input.
3	VOUT	Output.

Functional Description

The CY71XX-1 series is a set of three-terminal low power high voltage regulators implemented in CMOS technology. They allow input voltages as high as 18V. They are available with several fixed output voltages ranging from 2.1V to 5.0V.

Absolute Maximum Ratings

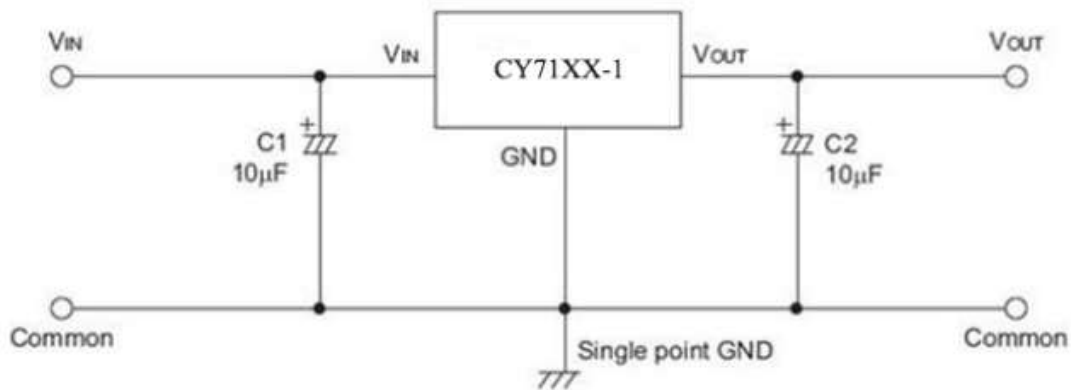
Parameter	Symbol	Value	Unit
Supply Voltage Input	V _{IN}	-0.3~18	V
Operating Temperature	T _{amb}	-40~85	°C
Storage Temperature	T _{stg}	-50~125	°C

Note: These are stress ratings only. Stresses exceeding the range specified under “Absolute Maximum Ratings” may cause substantial damage to the device. Functional operation of this device at other conditions beyond those listed in the specification is not implied and prolonged exposure to extreme conditions may affect device reliability.

Thermal Information

Parameter	Symbol	Package	Max.	Unit
Thermal Resistance (Junction to Ambient) (Assume no ambient airflow, no heat sink)	θ_{JA}	SOT23	500	°C/W
		SOT89	200	°C/W
		TO92	200	°C/W
Power Dissipation	P _D	SOT23	0.20	W
		SOT89	0.50	W
		TO92	0.50	W

Basic Circuits



**Electrical Characteristics****CY7121-1, +2.1V Output Type**

Parameter	Symbol	Test Conditions		Min.	Typ.	Max.	Unit
		V _{IN}	Conditions				
Output Voltage	V _{OUT}	4.1V	I _{OUT} =10mA	2.058	2.100	2.142	V
Output Current	I _{OUT}	4.1V	-	30	50	-	mA
Load Regulation	ΔV _{OUT}	4.1V	1mA≤I _{OUT} ≤20mA	-	60	100	mV
Voltage Drop(Note)	V _{DIF}	-	I _{OUT} =1mA	-	100	-	mV
Current Consumption	I _{SS}	4.1V	No load	-	2.5	3.0	μA
Line Regulation	$\frac{\Delta V_{OUT}}{\Delta V_{IN} \times V_{OUT}}$	-	3.5V≤V _{IN} ≤16V I _{OUT} =1mA	-	0.2	-	%/V
Input Voltage	V _{IN}	-	-	-	-	15	V
Temperature Coefficient	$\frac{\Delta V_{OUT}}{\Delta T_a}$	4.1V	I _{OUT} =10mA 0°C<T _a <70°C	-	±0.37	-	mV/ °C

Note: Dropout voltage is defined as the input voltage minus the output voltage that produces a 2% change in the output voltage from the value at V_{IN} = V_{OUT}+2V with a fixed load.

CY7123-1, +2.3V Output Type

Parameter	Symbol	Test Conditions		Min.	Typ.	Max.	Unit
		V _{IN}	Conditions				
Output Voltage	V _{OUT}	4.3V	I _{OUT} =10mA	2.254	2.300	2.346	V
Output Current	I _{OUT}	4.3V	-	30	50	-	mA
Load Regulation	ΔV _{OUT}	4.3V	1mA≤I _{OUT} ≤20mA	-	60	100	mV
Voltage Drop(Note)	V _{DIF}	-	I _{OUT} =1mA	-	100	-	mV
Current Consumption	I _{SS}	4.3V	No load	-	2.5	3.0	μA
Line Regulation	$\frac{\Delta V_{OUT}}{\Delta V_{IN} \times V_{OUT}}$	-	3.5V≤V _{IN} ≤16V I _{OUT} =1mA	-	0.2	-	%/V
Input Voltage	V _{IN}	-	-	-	-	15	V
Temperature Coefficient	$\frac{\Delta V_{OUT}}{\Delta T_a}$	4.3V	I _{OUT} =10mA 0°C<T _a <70°C	-	±0.39	-	mV/ °C

Note: Dropout voltage is defined as the input voltage minus the output voltage that produces a 2% change in the output voltage from the value at V_{IN} = V_{OUT}+2V with a fixed load.

**CY7125-1, +2.5V Output Type**

Parameter	Symbol	Test Conditions		Min.	Typ.	Max.	Unit
		V _{IN}	Conditions				
Output Voltage	V _{OUT}	4.5V	I _{OUT} =10mA	2.45	2.500	2.55	V
Output Current	I _{OUT}	4.5V	-	30	50	-	mA
Load Regulation	ΔV _{OUT}	4.5V	1mA≤I _{OUT} ≤20mA	-	60	100	mV
Voltage Drop(Note)	V _{DIF}	-	I _{OUT} =1mA	-	100	-	mV
Current Consumption	I _{SS}	4.5V	No load	-	2.5	3.0	μA
Line Regulation	$\frac{\Delta V_{OUT}}{\Delta V_{IN} \times V_{OUT}}$	-	3.5V≤V _{IN} ≤16V I _{OUT} =1mA	-	0.2	-	%/V
Input Voltage	V _{IN}	-	-	-	-	15	V
Temperature Coefficient	$\frac{\Delta V_{OUT}}{\Delta T_a}$	4.5V	I _{OUT} =10mA 0°C<T _a <70°C	-	±0.41	-	mV/ °C

Note: Dropout voltage is defined as the input voltage minus the output voltage that produces a 2% change in the output voltage from the value at V_{IN} = V_{OUT}+2V with a fixed load.

CY7127-1, +2.7V Output Type

Parameter	Symbol	Test Conditions		Min.	Typ.	Max.	Unit
		V _{IN}	Conditions				
Output Voltage	V _{OUT}	4.7V	I _{OUT} =10mA	2.646	2.700	2.754	V
Output Current	I _{OUT}	4.7V	-	30	50	-	mA
Load Regulation	ΔV _{OUT}	4.7V	1mA≤I _{OUT} ≤20mA	-	60	100	mV
Voltage Drop(Note)	V _{DIF}	-	I _{OUT} =1mA	-	100	-	mV
Current Consumption	I _{SS}	4.7V	No load	-	2.5	3.0	μA
Line Regulation	$\frac{\Delta V_{OUT}}{\Delta V_{IN} \times V_{OUT}}$	-	3.5V≤V _{IN} ≤16V I _{OUT} =1mA	-	0.2	-	%/V
Input Voltage	V _{IN}	-	-	-	-	15	V
Temperature Coefficient	$\frac{\Delta V_{OUT}}{\Delta T_a}$	4.7V	I _{OUT} =10mA 0°C<T _a <70°C	-	±0.43	-	mV/ °C

Note: Dropout voltage is defined as the input voltage minus the output voltage that produces a 2% change in the output voltage from the value at V_{IN} = V_{OUT}+2V with a fixed load.

**CY7130-1, +3.0V Output Type**

Parameter	Symbol	Test Conditions		Min.	Typ.	Max.	Unit
		V _{IN}	Conditions				
Output Voltage	V _{OUT}	5V	I _{OUT} =10mA	2.94	3.00	3.06	V
Output Current	I _{OUT}	5V	-	30	50	-	mA
Load Regulation	ΔV _{OUT}	5V	1mA ≤ I _{OUT} ≤ 20mA	-	20	100	mV
Voltage Drop(Note)	V _{DIF}	-	I _{OUT} =1mA	-	30	-	mV
Current Consumption	I _{SS}	5V	No load	-	2.5	3.0	μA
Line Regulation	$\frac{\Delta V_{OUT}}{\Delta V_{IN} \times V_{OUT}}$	-	3.5V ≤ V _{IN} ≤ 16V I _{OUT} =1mA	-	0.02	-	%/V
Input Voltage	V _{IN}	-	-	-	-	15	V
Temperature Coefficient	$\frac{\Delta V_{OUT}}{\Delta T_a}$	5V	I _{OUT} =10mA 0°C < T _a < 70°C	-	±0.45	-	mV/°C

Note: Dropout voltage is defined as the input voltage minus the output voltage that produces a 2% change in the output voltage from the value at V_{IN} = V_{OUT}+2V with a fixed load.

CY7133-1, +3.3V Output Type

Parameter	Symbol	Test Conditions		Min.	Typ.	Max.	Unit
		V _{IN}	Conditions				
Output Voltage	V _{OUT}	5.3V	I _{OUT} =10mA	3.234	3.300	3.366	V
Output Current	I _{OUT}	5.3V	-	30	50	-	mA
Load Regulation	ΔV _{OUT}	5.3V	1mA ≤ I _{OUT} ≤ 20mA	-	40	100	mV
Voltage Drop(Note)	V _{DIF}	-	I _{OUT} =1mA	-	30	-	mV
Current Consumption	I _{SS}	5.3V	No load	-	2.5	3.0	μA
Line Regulation	$\frac{\Delta V_{OUT}}{\Delta V_{IN} \times V_{OUT}}$	-	3.5V ≤ V _{IN} ≤ 16V I _{OUT} =1mA	-	0.06	-	%/V
Input Voltage	V _{IN}	-	-	-	-	15	V
Temperature Coefficient	$\frac{\Delta V_{OUT}}{\Delta T_a}$	5.3V	I _{OUT} =10mA 0°C < T _a < 70°C	-	±0.5	-	mV/°C

Note: Dropout voltage is defined as the input voltage minus the output voltage that produces a 2% change in the output voltage from the value at V_{IN} = V_{OUT}+2V with a fixed load.

**CY7136-1, +3.6V Output Type**

Parameter	Symbol	Test Conditions		Min.	Typ.	Max.	Unit
		V _{IN}	Conditions				
Output Voltage	V _{OUT}	5.6V	I _{OUT} =10mA	3.528	3.600	3.672	V
Output Current	I _{OUT}	5.6V	-	30	50	-	mA
Load Regulation	ΔV _{OUT}	5.6V	1mA≤I _{OUT} ≤20mA	-	30	100	mV
Voltage Drop(Note)	V _{DIF}	-	I _{OUT} =1mA	-	25	-	mV
Current Consumption	I _{SS}	5.6V	No load	-	2.5	3.0	μA
Line Regulation	$\frac{\Delta V_{OUT}}{\Delta V_{IN} \times V_{OUT}}$	-	3.5V≤V _{IN} ≤16V I _{OUT} =1mA	-	0.02	-	%/V
Input Voltage	V _{IN}	-	-	-	-	15	V
Temperature Coefficient	$\frac{\Delta V_{OUT}}{\Delta T_a}$	5.6V	I _{OUT} =10mA 0°C<T _a <70°C	-	±0.6	-	mV/ °C

Note: Dropout voltage is defined as the input voltage minus the output voltage that produces a 2% change in the output voltage from the value at V_{IN} = V_{OUT}+2V with a fixed load.

CY7144-1, +4.4V Output Type

Parameter	Symbol	Test Conditions		Min.	Typ.	Max.	Unit
		V _{IN}	Conditions				
Output Voltage	V _{OUT}	6.4V	I _{OUT} =10mA	4.312	4.400	4.488	V
Output Current	I _{OUT}	6.4V	-	30	50	-	mA
Load Regulation	ΔV _{OUT}	6.4V	1mA≤I _{OUT} ≤20mA	-	20	100	mV
Voltage Drop(Note)	V _{DIF}	-	I _{OUT} =1mA	-	20	-	mV
Current Consumption	I _{SS}	6.4V	No load	-	2.5	3.0	μA
Line Regulation	$\frac{\Delta V_{OUT}}{\Delta V_{IN} \times V_{OUT}}$	-	3.5V≤V _{IN} ≤16V I _{OUT} =1mA	-	0.02	-	%/V
Input Voltage	V _{IN}	-	-	-	-	15	V
Temperature Coefficient	$\frac{\Delta V_{OUT}}{\Delta T_a}$	6.4V	I _{OUT} =10mA 0°C<T _a <70°C	-	±0.7	-	mV/ °C

Note: Dropout voltage is defined as the input voltage minus the output voltage that produces a 2% change in the output voltage from the value at V_{IN} = V_{OUT}+2V with a fixed load.

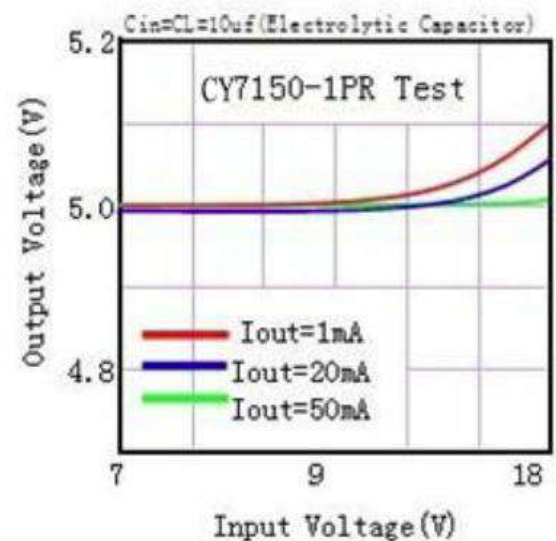
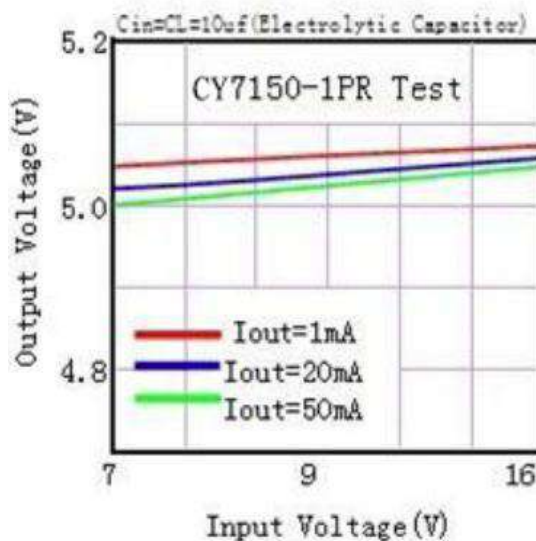
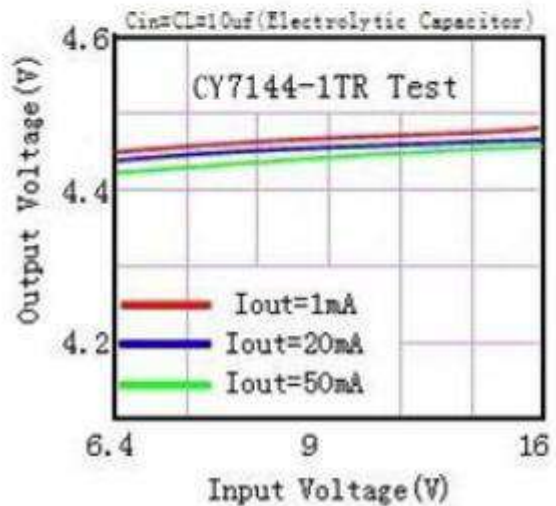
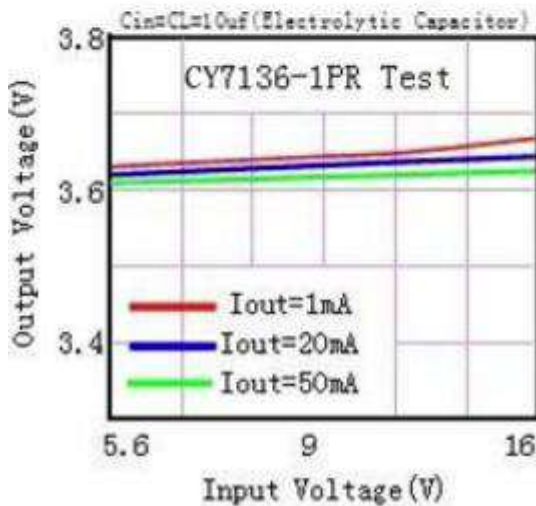
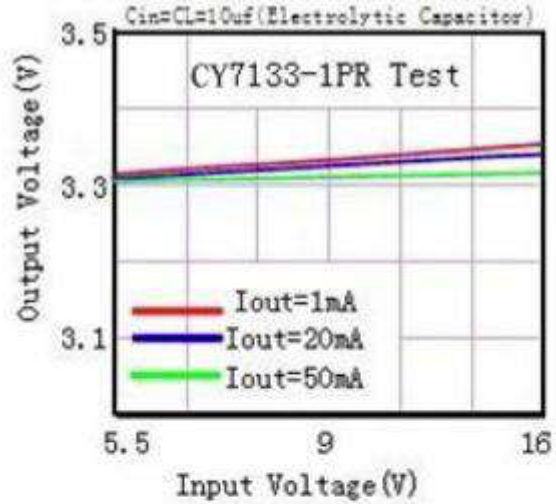
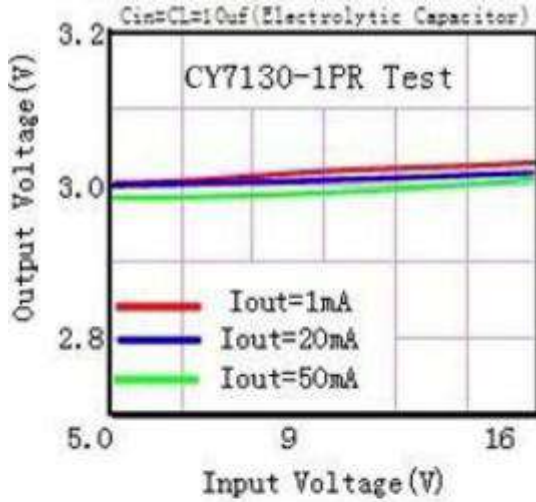
**CY7150-1, +5.0V Output Type**

Parameter	Symbol	Test Conditions		Min.	Typ.	Max.	Unit
		V _{IN}	Conditions				
Output Voltage	V _{OUT}	7V	I _{OUT} =10mA	4.9	5.00	5.1	V
Output Current	I _{OUT}	7V	-	30	50	-	mA
Load Regulation	ΔV _{OUT}	7V	1mA ≤ I _{OUT} ≤ 20mA	-	25	100	mV
Voltage Drop(Note)	V _{DIF}	-	I _{OUT} =1mA	-	20	-	mV
Current Consumption	I _{SS}	7V	No load	-	2.5	3.0	μA
Line Regulation	$\frac{\Delta V_{OUT}}{\Delta V_{IN} \times V_{OUT}}$	-	3.5V ≤ V _{IN} ≤ 16V I _{OUT} =1mA	-	0.04	-	%/V
Input Voltage	V _{IN}	-	-	-	-	15	V
Temperature Coefficient	$\frac{\Delta V_{OUT}}{\Delta T_a}$	7V	I _{OUT} =10mA 0°C < T _a < 70°C	-	±0.75	-	mV/°C

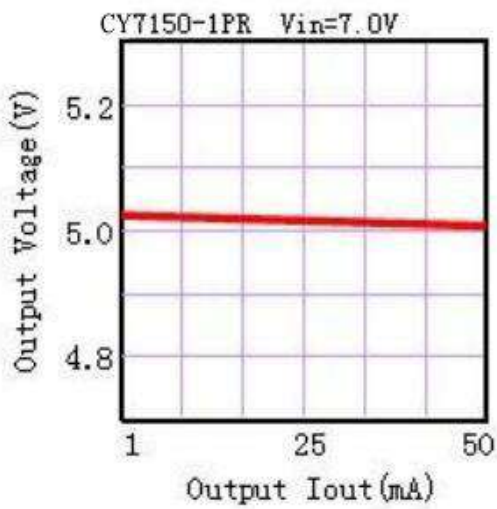
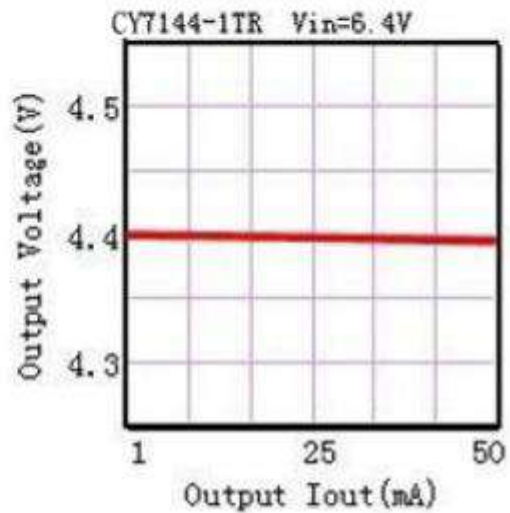
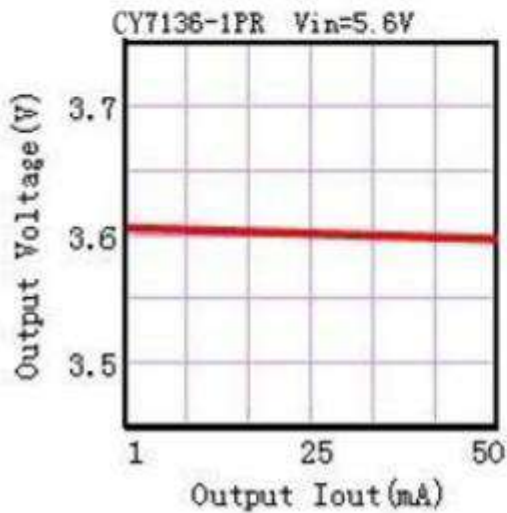
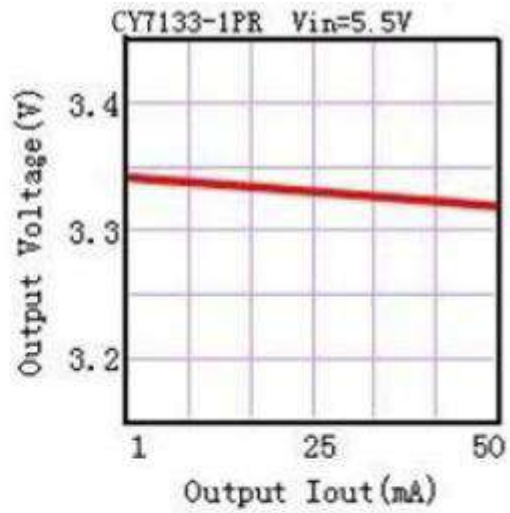
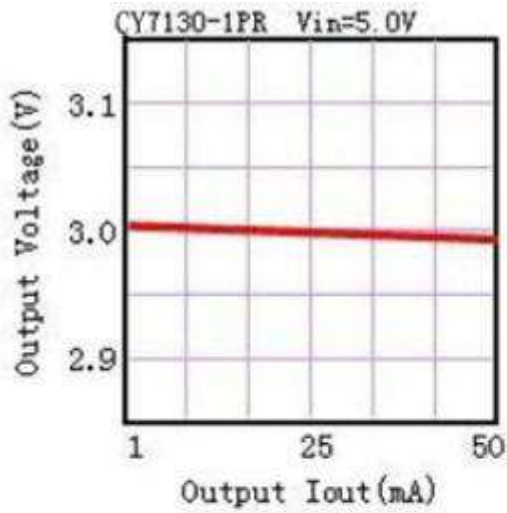
Note: Dropout voltage is defined as the input voltage minus the output voltage that produces a 2% change in the output voltage from the value at V_{IN} = V_{OUT}+2V with a fixed load.

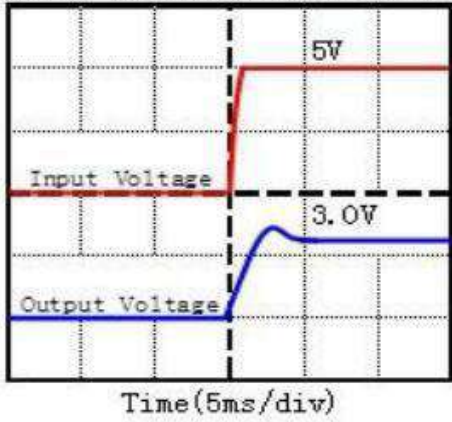
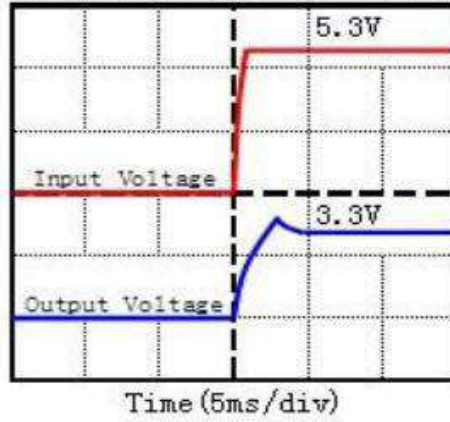
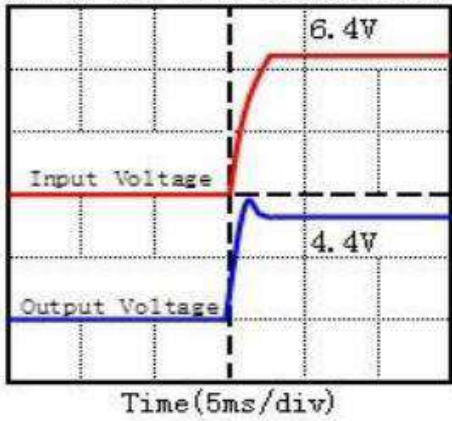
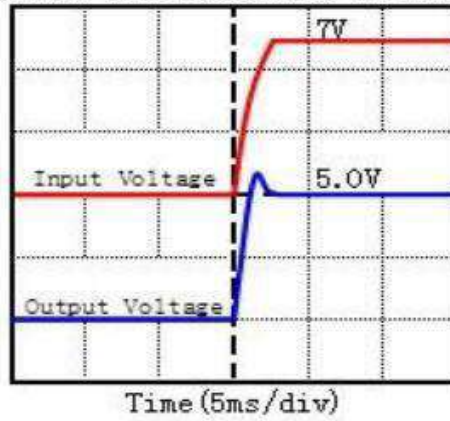
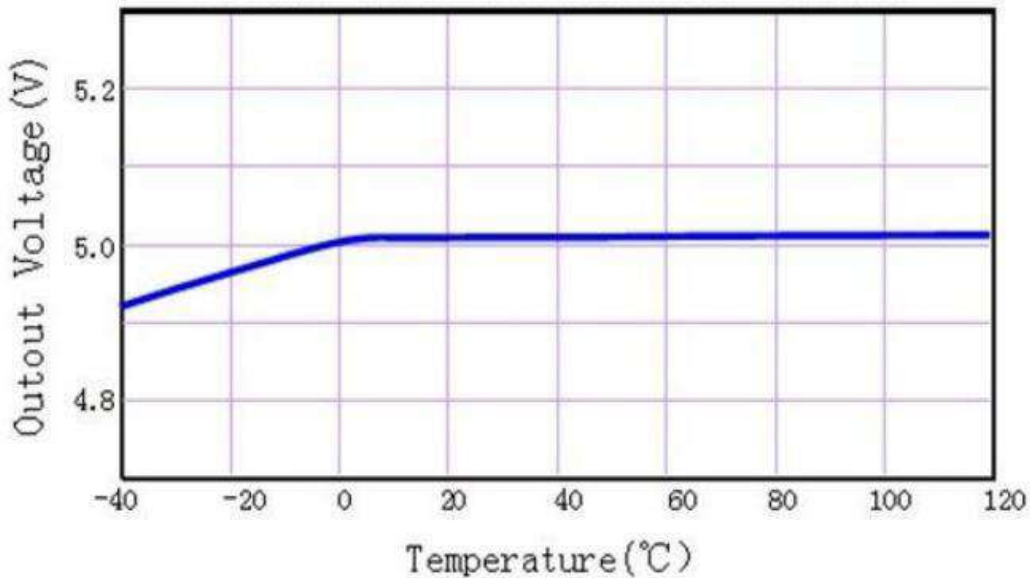
Typical Performance Characteristics

(1) Output Voltage vs Input voltage



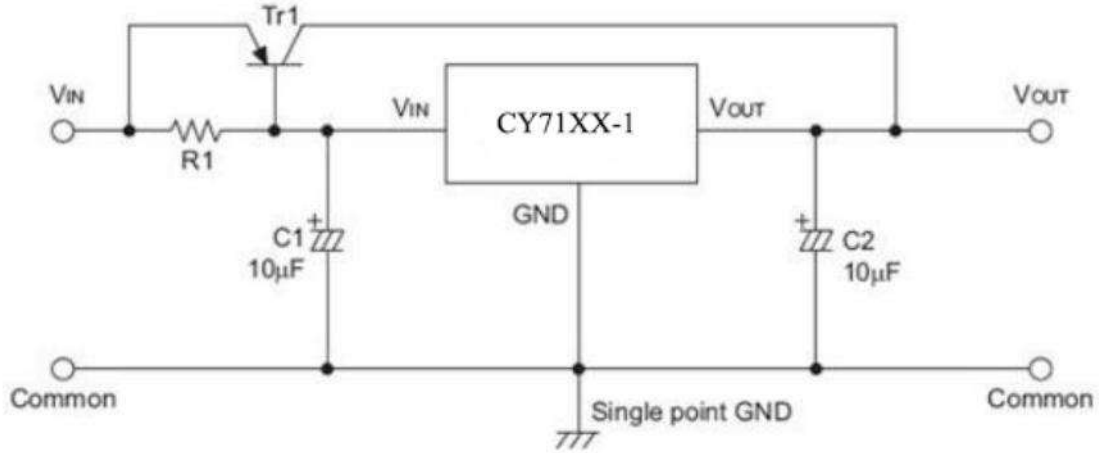
(2) Output Voltage vs. Output Current



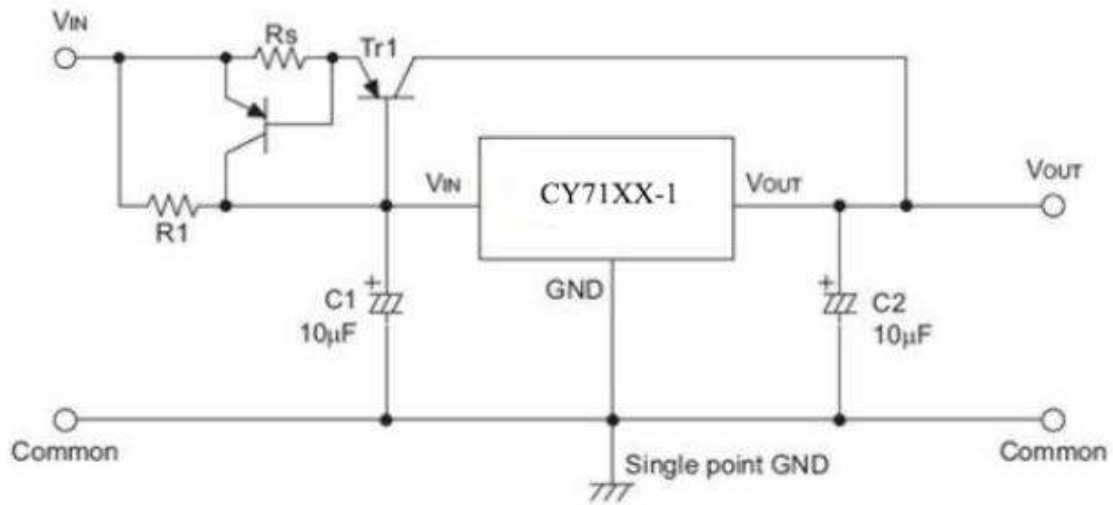
(3) Input Transient Response
CY7130-1TR I_{out}=10mA CL=10uF

CY7133-1TR I_{out}=20mA CL=10uF

CY7144-1TR I_{out}=10mA CL=10uF

CY7150-1PR I_{out}=20mA CL=10uF

(4) Output Voltage vs. Ambient Temperature
CY7150-1PR C_{in}=C_L=10uF (Electrolytic Capacitor)


Application Circuits

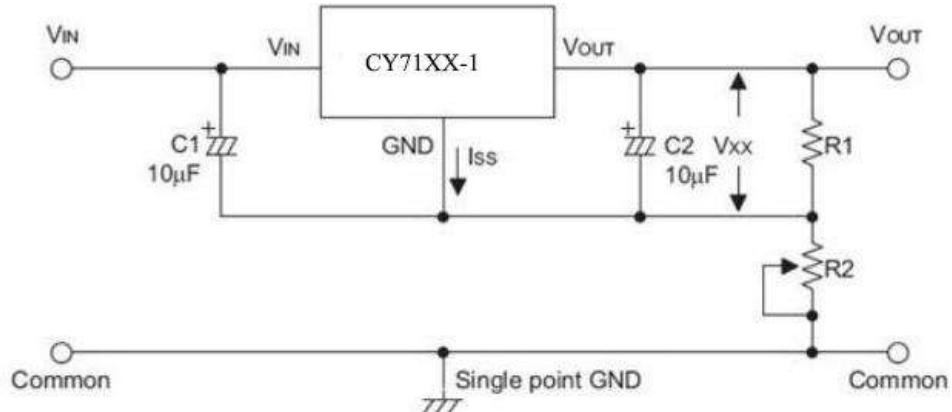
High Output Current Positive Voltage Regulator

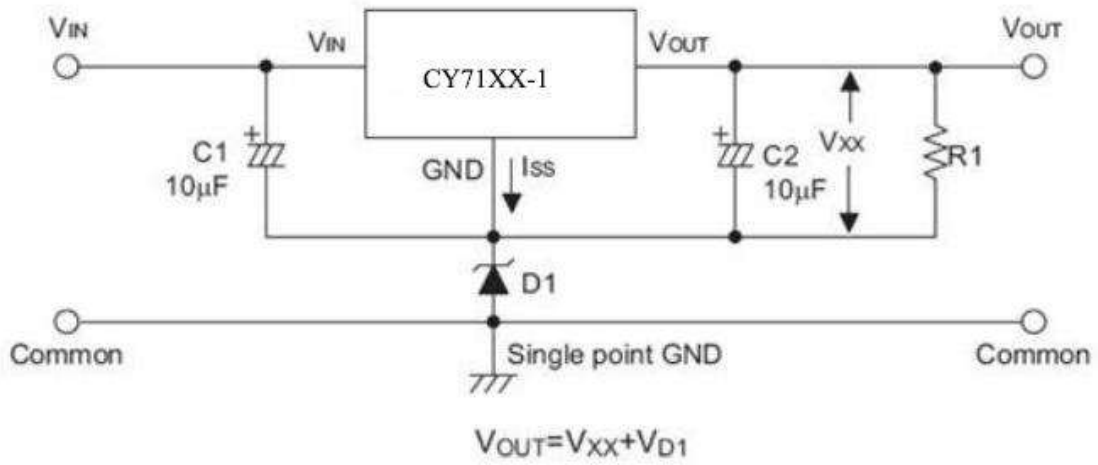
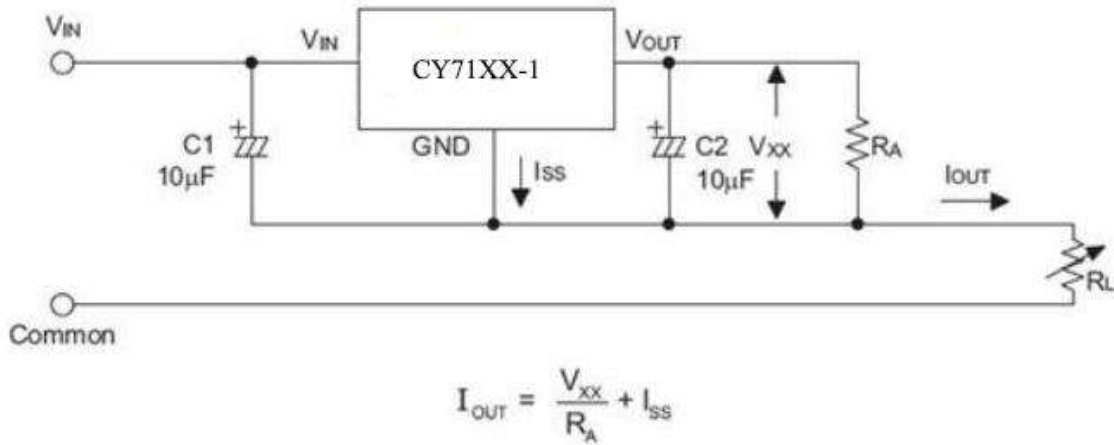
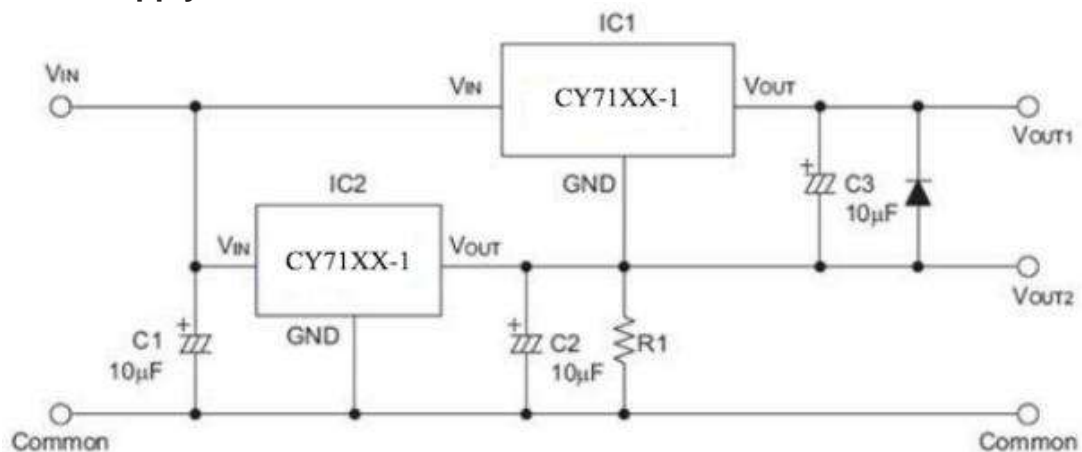


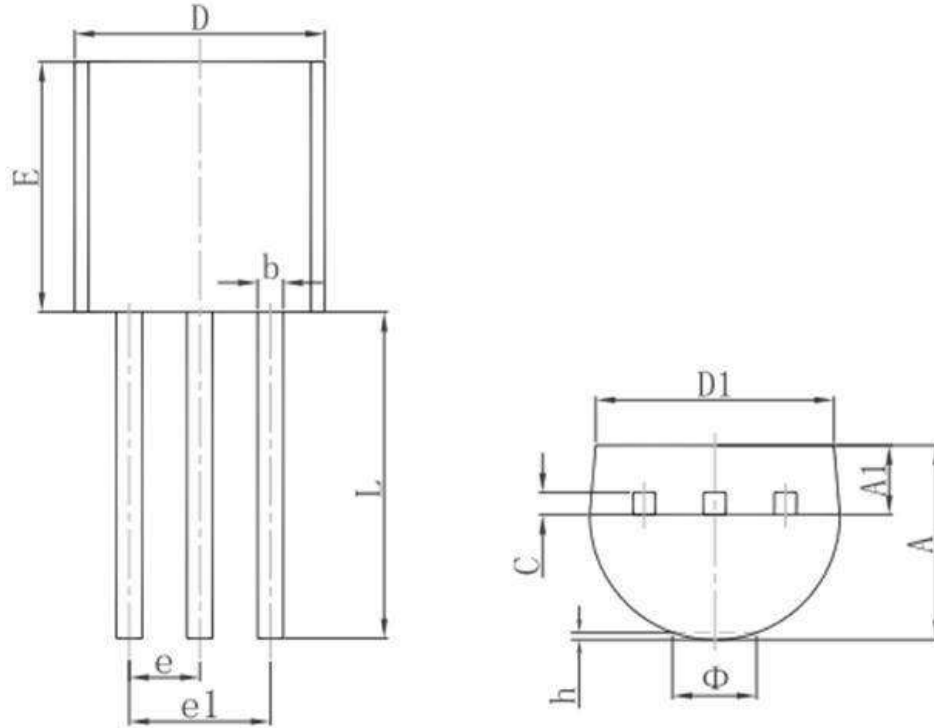
Short-Circuit Protection by $Tr1$



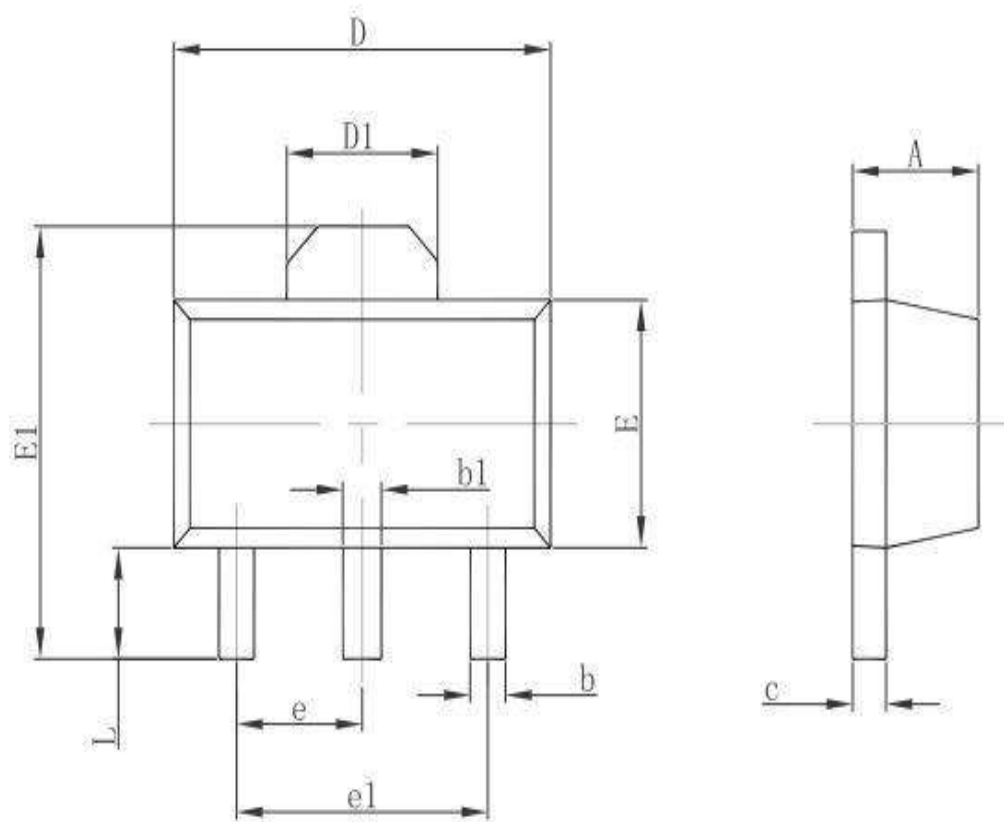
Circuit for Increasing Output Voltage



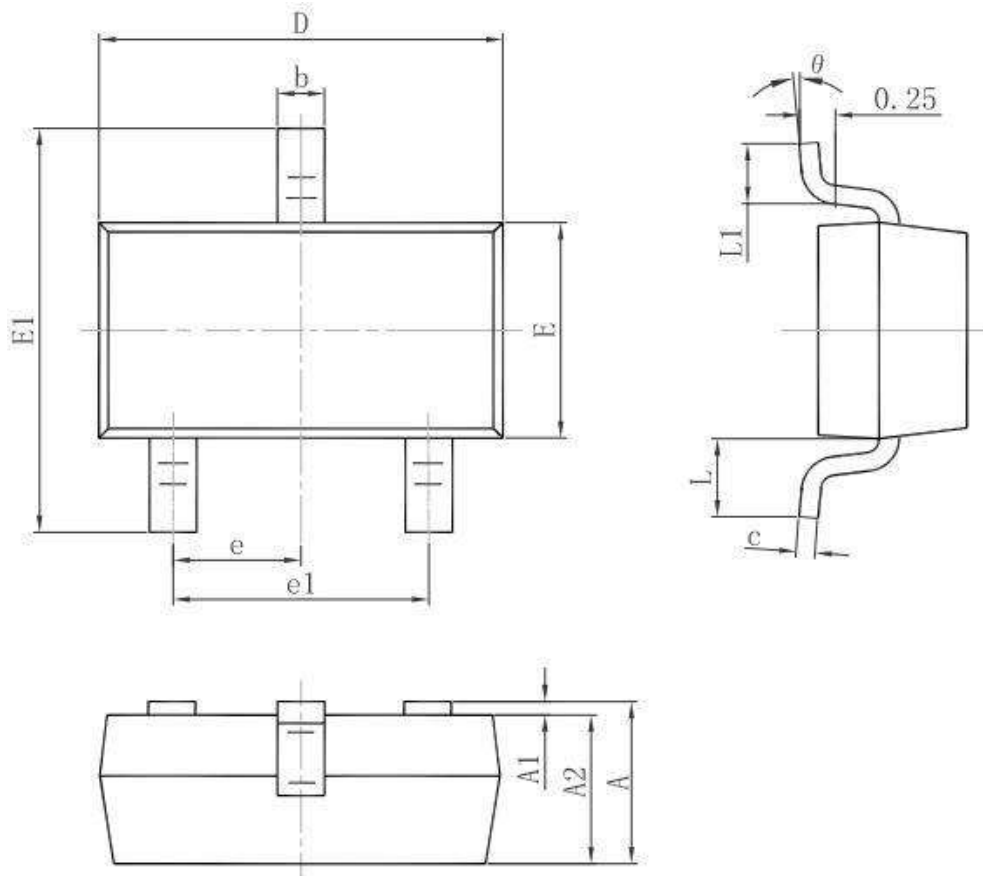
Circuit for Increasing Output Voltage

Constant Current Regulator

Dual Supply


Package Information (TO92)


Symbol	Dimensions In Millimeters		Dimensions In Inches	
	Min.	Max.	Min.	Max.
A	3.300	3.700	0.130	0.146
A1	1.100	1.400	0.043	0.055
b	0.380	0.550	0.015	0.022
c	0.360	0.510	0.014	0.020
D	4.300	4.700	0.169	0.185
D1	3.430		0.135	
E	4.300	4.700	0.169	0.185
e	1.270TYP.		0.050TYP.	
e1	2.440	2.640	0.096	0.104
L	14.100	14.500	0.555	0.571
Φ		1.600		0.063
h	0.000	0.380	0.000	0.015

Package Information (SOT89)


Symbol	Dimensions In Millimeters		Dimensions In Inches	
	Min.	Max.	Min.	Max.
A	1.400	1.600	0.055	0.063
b	0.320	0.520	0.013	0.020
b1	0.400	0.580	0.016	0.023
c	0.350	0.440	0.014	0.017
D	4.400	4.600	0.173	0.181
D1	1.550REF.		0.061REF.	
E	2.300	2.600	0.091	0.102
E1	3.940	4.250	0.155	0.167
e	1.500TYP.		0.060TYP.	
e1	3.000TYP.		0.118TYP.	
L	0.900	1.200	0.035	0.047

Package Information (SOT23)


Symbol	Dimensions In Millimeters		Dimensions In Inches	
	Min.	Max.	Min.	Max.
A	0.900	1.150	0.035	0.045
A1	0.000	0.100	0.000	0.004
A2	0.900	1.050	0.035	0.041
b	0.300	0.500	0.012	0.020
c	0.080	0.150	0.003	0.006
D	2.800	3.000	0.110	0.118
E	1.200	1.400	0.047	0.055
E1	2.250	2.550	0.089	0.100
e	0.950TYP.		0.037TYP.	
e1	1.800	2.000	0.071	0.079
L	0.550REF.		0.022REF.	
L1	0.300	0.500	0.012	0.020
θ	0°	8°	0°	8°



Special Instructions

The company reserves the right of final interpretation of this specification.

Version Change Description

Version: V1.9

Author: Yangyang

Time: 2021.10.11

Modify the record:

1. Re-typesetting the manual and checking some data
-