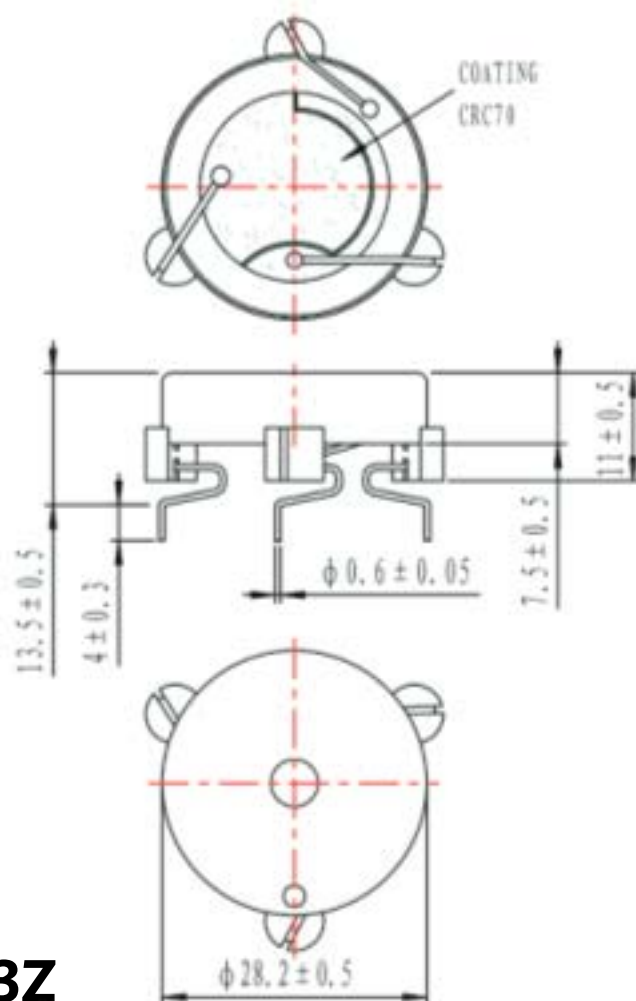


NO.	项目Item	标准Specification
1	声压sound pressure level	75dB/min. at30cm/12VDC
2	谐振频率response frequency	3.0±0.5KHz
3	工作电压范围operating voltage	3~24VDC
4	重量weight	3.0g
5	外壳材质housing maferial	PBT/grey
6	接口terminal	导线lead wire
7	工作温度operating temerature	-20~70°C
8	储存温度storage temperature	-30~70° C
9	额定电流Max. rated current	30.0mA
10	额定电压rated voltage	12VDC



AW1S28TSP040-303Z