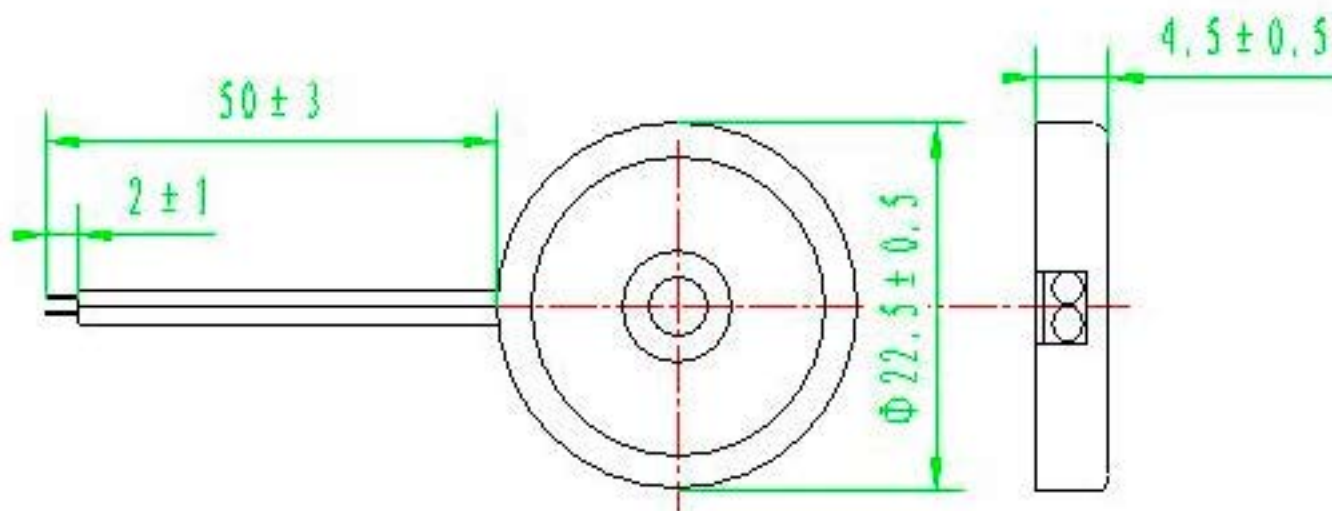


1	SPL	85 dB Min. at 4.0KHz/10Vp-p Square Wave/10cm/Praxis
2	Max. input voltage	30Vp-p
3	Frequency Response	4.0±0.5KHz
4	Electrostatic capacity	15000±30%PF at 1KHz/1V
5	Housing Material	ABS/Black
6	Operating temperature	-25~+70 °C
7	Storage temperature	-30~+70 °C
8	Weight	1.9 g



**AW2S23TEL-402Z**