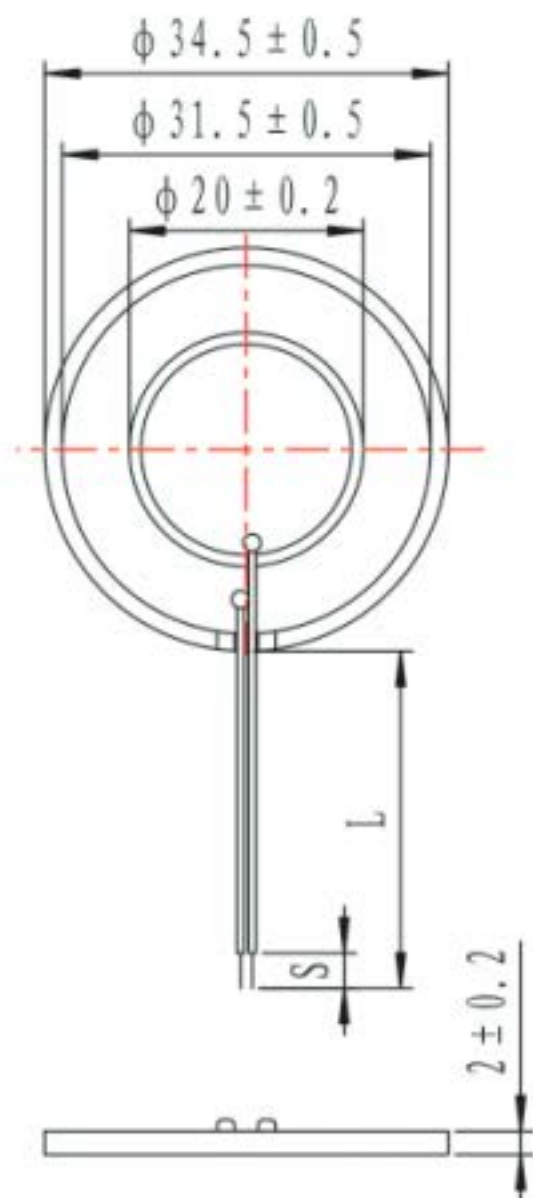


NO.	项目Item	标准Specification
1	声压 sound pressure level	80dB/min. at 12Vp-p square wave
2	输入电压Max. input voltage	40Vp-p
3	静电电容static capacitance	50000pF \pm 30% at 120Hz
4	重量weight	2.0g
6	接口terminal	导线lead wire UL1571 30AWG
7	工作温度 Operating temperature	20~70°C
8	贮存温度 Storage temperature	-30~80°C
9	外壳材料case material	ABS/Black
10	谐振频率resonant capacitance	1.3 \pm 0.3KHz



AW1S34.5TEL043-133Z