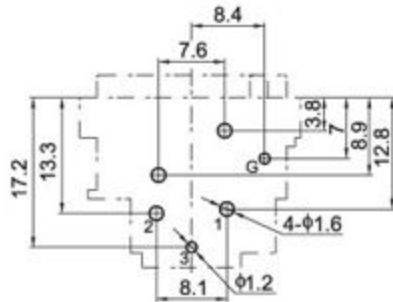
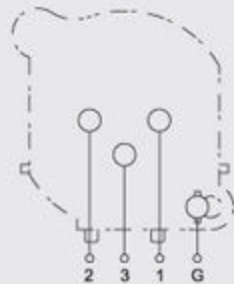


PC.B LAYOUT  
(VIEWED FROM COPPER SIDE)



SCHEMATIC LAYOUT



锁释方式: 'F'型锁扣片 (F Type Locking Plate)  
接地方式: 'B'型接地片 (B Type Ground Link)