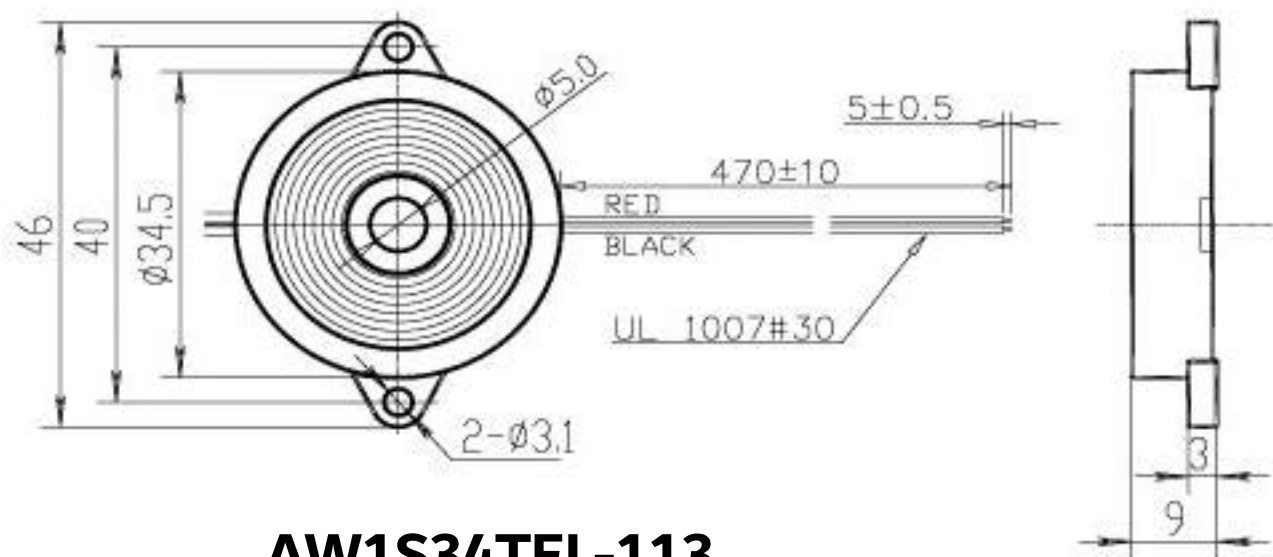


1	SPL	$\geq 70\text{dB} / 4000\text{Hz} / 9\text{V p-p, Square Wave} / 10\text{cm}$
2	Input voltage	$\leq 40\text{V p-p}$
3	Resonant frequency	1100Hz
4	Electrostatic capacity	$50000 \pm 30\% \text{ pF} / \text{at } 120\text{Hz} / 1\text{V}$
5	Housing material	ABS
6	Lead wires	UL1007 #30/Red&Black
7	Operating temperature	$-20 \sim +70^{\circ}\text{C}$
8	Storage temperature	$-30 \sim +80^{\circ}\text{C}$
9	Weight	5g



AW1S34TEL-113