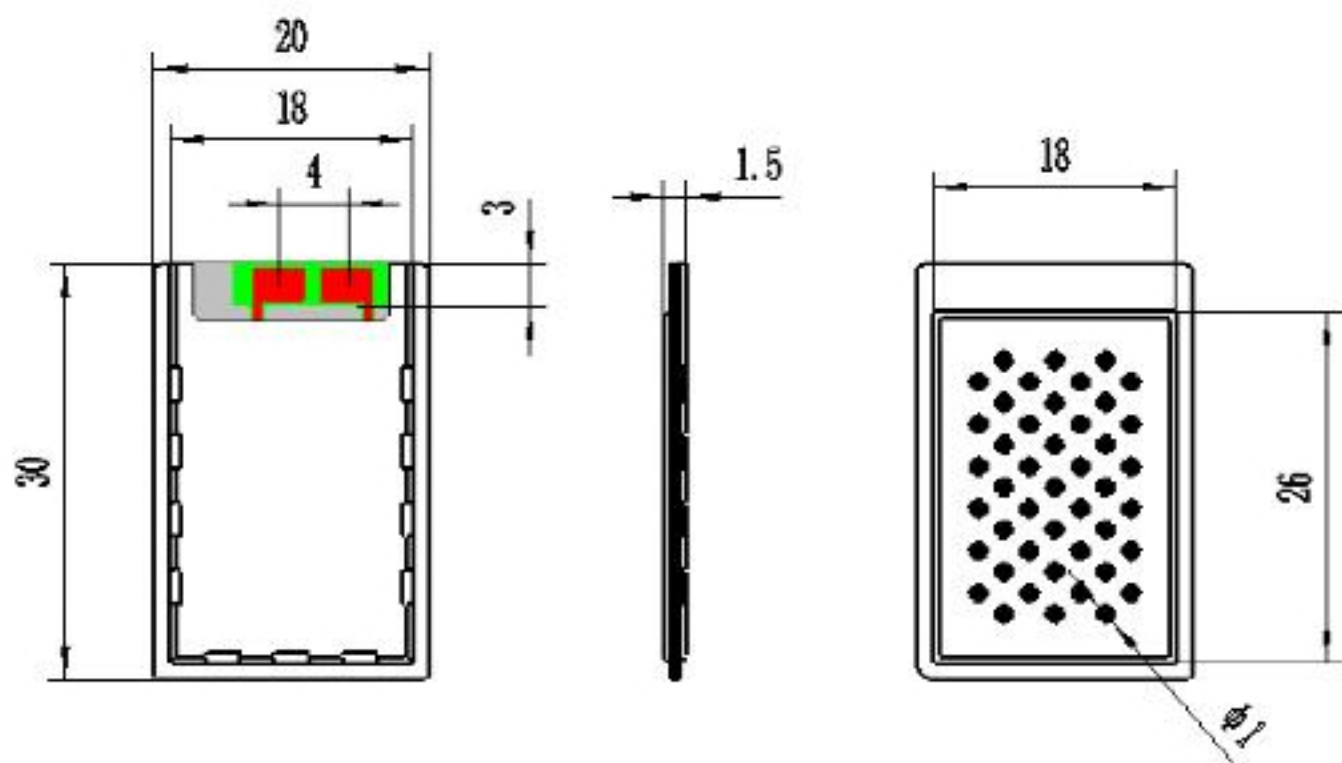


NO.	项目Item	单位Unit	标准Specification	附注Note
1	Sound Pressure Level	dB	80Min.	B&K(10cm/5Vrms/at muffle room) (Average at 4-point: 1.0K, 1.5K, 2.0K, 3.0K)
2	Electrostatic Capacity	nF	1200±30%	Digital electric bridge (120Hz/1V/25°C)
3	Resonant Freq. (F0)	Hz	800±100	B&K (5Vrms)
4	Frequency Range	Hz	300~20000	-----
5	Max. Voltage	Vp-p	16	-----
6	Working Temp.	°C	-20 ~ +70	-----
7	Storage Temp.	°C	-30 ~ +85	-----



UNIT:mm