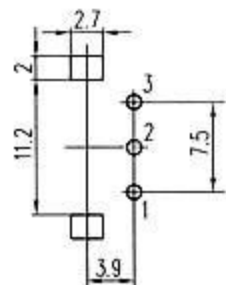
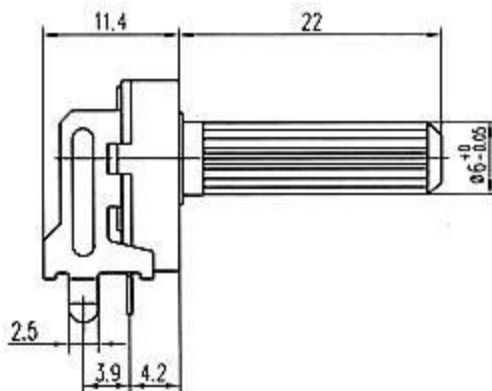
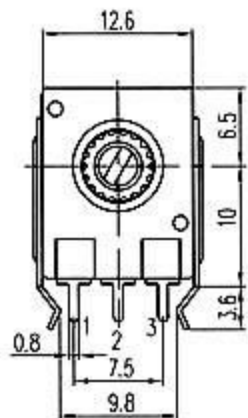


阻值允许误差 Tolerance of resistance	$\pm 20\%$	绝缘电阻 Insulation resistance	DC250V 100M $\Omega$ min
额定功率 power Rating	0.05W	耐电压 Withstanding Voltage	AC300V 1 minute
额定电压 Rated voltage	50V AC/ DC 20V	总机械旋转角度 Total rotational Angle	$300 \pm 5^\circ$
转动噪声 Rotational noise	$\leq 47\text{mv}$	动作力 Operating force	20 ~ 200gf.cm
双联同步误差 Tracking error	B 0~20db $\pm 2\text{db}$ A C D 0~40db $\pm 3\text{db}$	止挡强度 Shaft Stopper Strength	4Kgf.cm min
		机械耐久性 Mechanical endurance	10000周min turns



Standard Shaft Size:

<p>● 18T</p>	型号	TYPE	L	15	20	25	30	35	
	WH0122-1	WH12113	WH123-1	l	5	7	12	12	12
	WH0122-2 WH0122-2S	WHO122-3 WH12111	WH0122-4 WH123-2	l	/	5	7	12	12
<p>● F</p>	型号	TYPE	L	15	20	25	30	35	
	WH0122-1	WH12113	WH123-1	F	4.5	7	12	12	12
	WH0122-2 WH0122-2S	WHO122-3 WH12111	WH0122-4 WH123-2	F	/	4.5	7	12	12