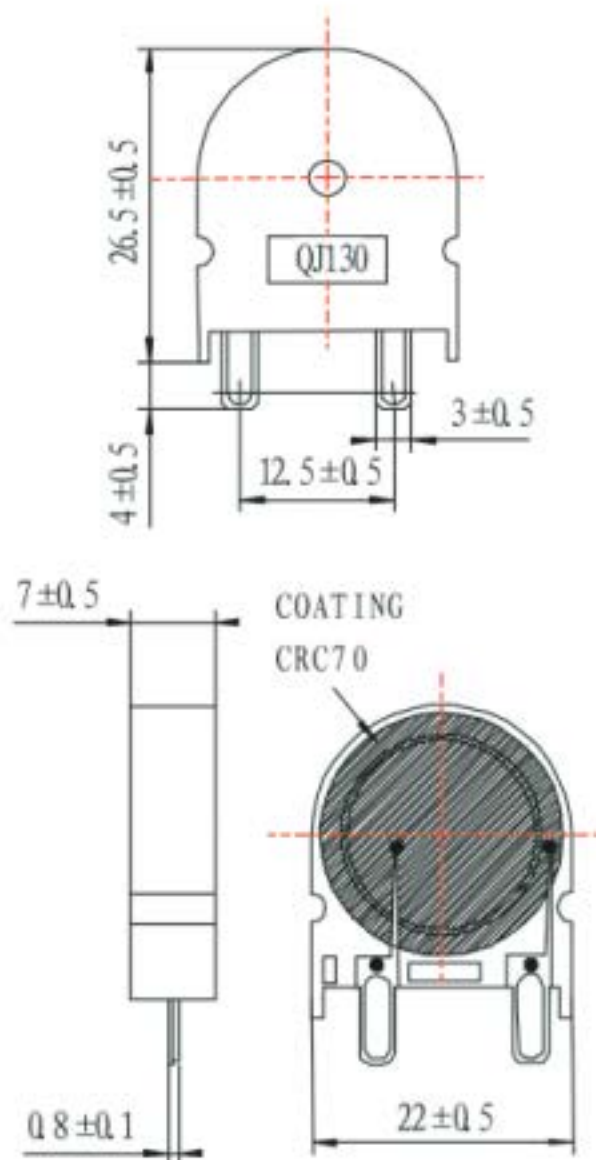


NO.	项目Item	标准Specification
1	声压sound pressure level	80dB/min. At 3.0Vrms sine wave/10cm/2.5KHz/ptaxis
2	谐振频率response frequency	2.50 ± 0.5KHz
3	静电容量 Capacity	25000pF ± 30% at 1KHz/1V
4	重量weight	3.0g
5	外壳材质housing maferial	PBT/15%玻纤
6	接口terminal	BRONZE
7	工作温度 Operating temperature	-20 ~ 70° C
8	贮存温度 Storage temperature	-30 ~ 80° C
9	尺寸dimension	see drawing



AW1S22TEP-251Z