



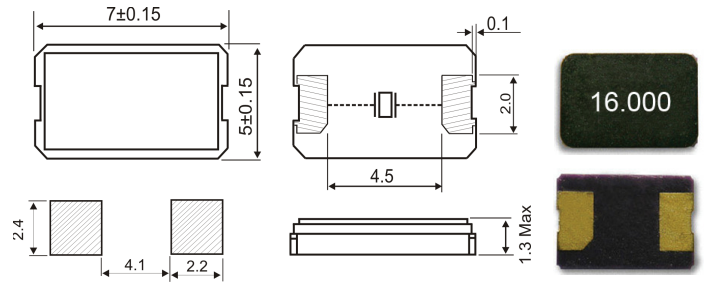
DESCRIPTION

The SMD0705(2P) crystal has an ultra small package and wide frequency range.

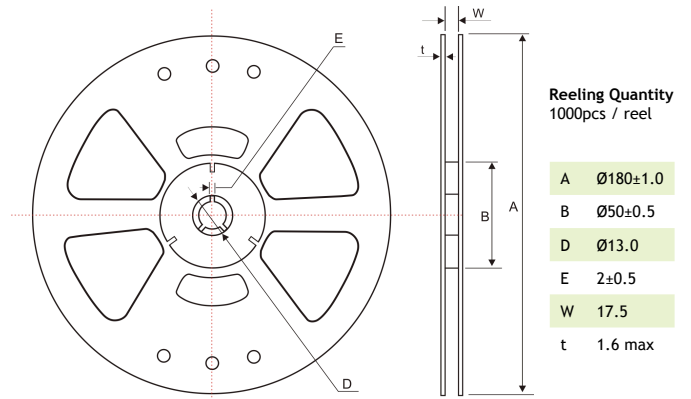
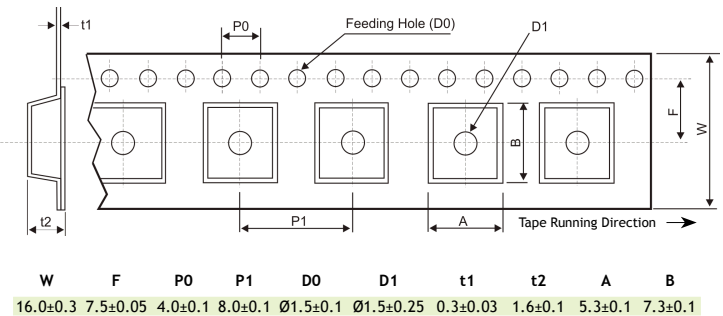
ELECTRICAL SPECIFICATION

Frequency Range	10.00 to 80.000 MHz
Load Capacitance	10pF to series
Frequency Tolerance (at 25 °C)	≤±30ppm
Frequency Stability at -20 to +70 °C	≤30ppm
Operating Temperature Range	-20 °C to +70 °C
Storage Temperature Range	-40 °C to +85 °C
Equivalent Series Resistance (ESR)	60 Ohms
Drive Level	100µW Maximum
Shunt Capacitance	≤7.0pF
Aging (at 25 °C)	≤±3ppm/First year
Insulation Resistance	500 MOhm/100V±15VDC

MECHANICAL DIMENSIONS (all in mm)



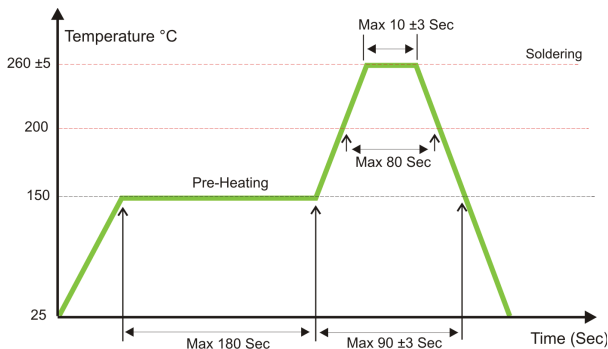
TAPE SPECIFICATIONS (all in mm) - Carrier Tape Dimensions



RELIABILITY SPECIFICATION

Item/Conditions	Standard
1. Drop Characteristics	
Free drop from 50cm height on a hard wooden board for 3 times (Board is thickness more than 30mm)	Frequency change: ≤ 5ppm Rr as specification
2. Shake Characteristics	
Shake frequency 10-55Hz, cycle 1-2 minutes, swing 1.5mm, direction x/y/z, all 30 minutes, test after 1 hours	Frequency change: ≤ 5ppm Rr as specification
3. Airproof Characteristics	
Put crystal into the pressure cabin with alcohol, keep pressure 0.4-0.5mpa 10 minutes, then take out and blow for 5 minutes	IR>500M Ohms
4. Weld Characteristics	
235±5°, 3 seconds	90% exhibit tin ok
5. Humidity Characteristics	
+40±2° and 90%-95% R.H. 250 hours	Frequency change: ≤ 5ppm Rr as specification
6. Low temperature Characteristics	
+30±2° 250 hours, put in room temperature, test after 1 hours	Frequency change: ≤ 5ppm Rr as specification
7. High temperature Characteristics	
+85±2° 250 hours, put in room temperature, test after 1 hours	Frequency change: ≤ 5ppm Rr as specification
8. Temperature cycling	
-30±3° / 30±3 min - +85±2° / 30±3min, 5 cycles	Frequency change: ≤ 5ppm Rr as specification
9. Refluence examination	
see "Soldering" graphic	Frequency change: ≤ 5ppm Rr as specification

SOLDERING



PART NUMBERING SYSTEM (Example)

SMD0705-16.000-F-20-30-30-A-T-2P

