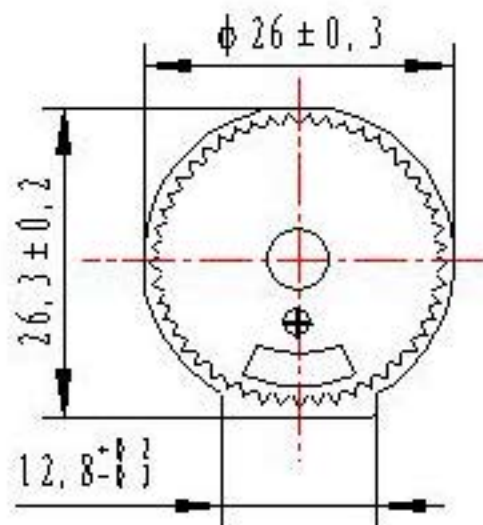


1	Rated voltage	12 VDC
2	Operating voltage	6-18 VDC
3	Max. Rated Current	≤25.0 mA/12VDC
4	SPL	≥92dB/12VDC/30cm
5	Frequency Response	2.9±0.5 kHz
6	Operating temperature	- 20~+60 °C
7	Storage temperature	- 30~+80 °C
8	Material	黑色 ABS
9	Terminal	出线(线型号: UL1007 AWG24)



$L=110 \pm 10\text{mm}$

$S=6 \pm 1\text{mm}$

